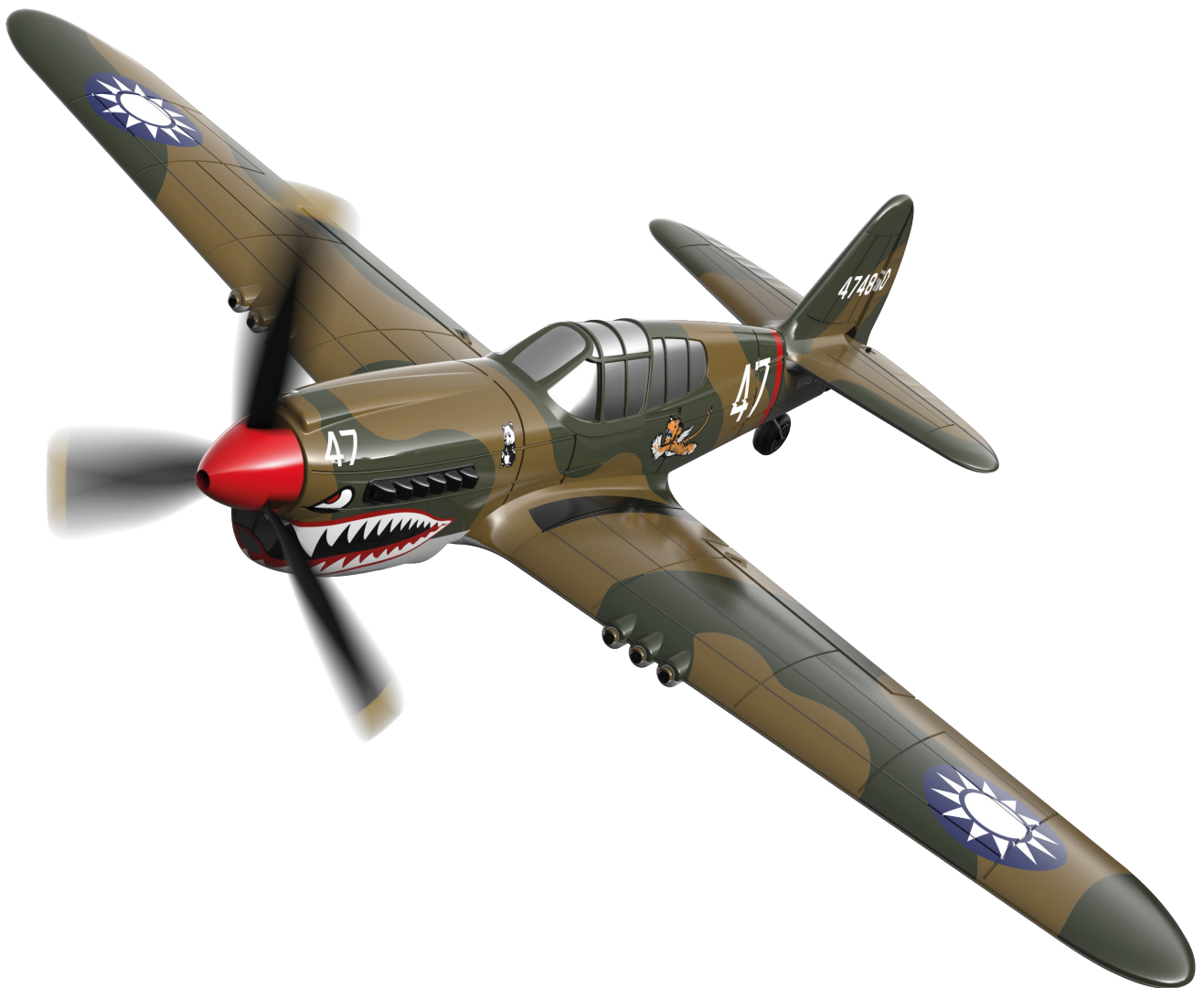


MODSTER

P-40 WARHAWK



USER MANUAL
/BETRIEBSANLEITUNG

AN-294994


Content


Warnings, Safety Precautions.....	3
Battery Usage & Charging Warnings.....	4
Box Content.....	4
Charging and Setup Instruction.....	5
Center Control Surfaces.....	6-7
Transmitter Instruction.....	7
X-Pilot Switch.....	8
Binding Instruction.....	8
Throttle Unlock (Arming).....	8
Digital Trims.....	9
Channels Reactions Checking.....	9
One-key Aerobatics Instruction.....	9
One-key U-turn Instruction.....	10
X-Pilot System Calibration.....	10
Propeller Saver Instruction.....	10
Propeller Replacement.....	11
Propeller System Replacement.....	11
Flight Checklist.....	12
Find a Flight Field.....	12
Flying Conditions.....	13
Disclaimer of Warranties.....	13
Declaration of Conformity.....	27

WARNING

The following terms are used throughout the product literature to indicate various levels of potential harm when operating this product.

CAUTION: Procedures, which if not be properly followed, is able to create a possibility of physical property damage AND or possibility of injury.

 Read the **ENTIRE** instruction manual to become familiar with the features of the product before operating. Fail to operate the product correctly can result in damage to the product, personal property and cause serious injury.

 This is a sophisticated hobby product and **NOT** a toy. It must be operated with caution and common sense and requires some basic mechanical ability. Fail to operate this product in a safe and responsible manner could result in injury or damage to the product or other property. This product is not intended for use by children without direct adult supervision. Do not attempt to disassemble, use with incompatible components or augment product in any way without the approval of MSG Online/MODSTER.

This manual contains instructions for safety, operation and maintenance. It is essential to read and follow all the instructions and warnings in the manual, prior to assembly, setup or use, in order to operate correctly and avoid damage or serious injury.

Age recommendation: Not for children under 14 years. This not a toy.

Safety Precautions

As the user of this product, you are solely responsible for operating in a manner that does not endanger yourself and others or result in damage to the product or the property of others.

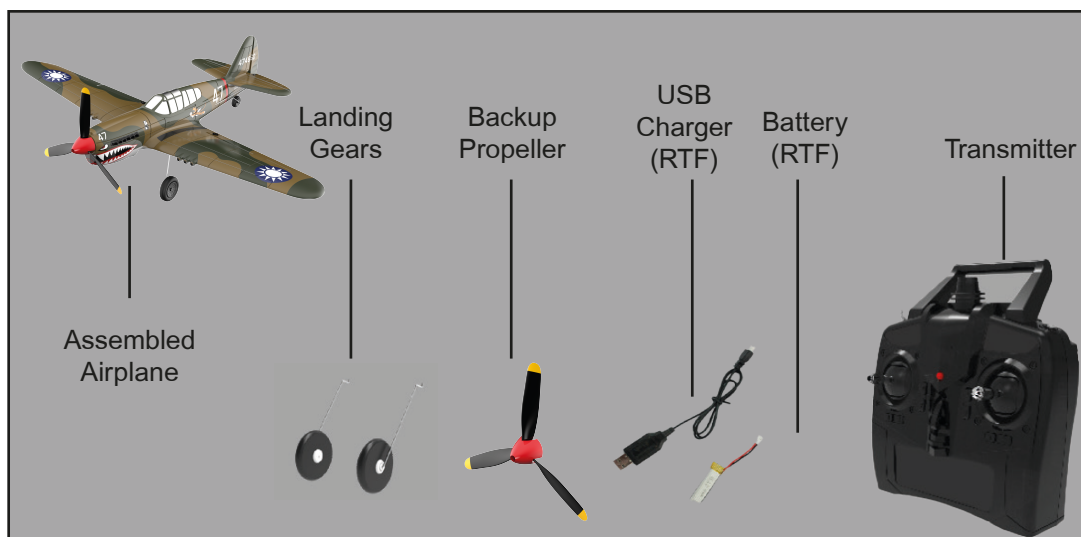
- Always ensure all batteries have been properly charged before using the vehicle.
- Always check all servos, all the connections and all correct control functions prior to each flight.
- Never operate your vehicle near spectators, parking areas or any other area that could result in injury to people or damage of property.
- Never operate your vehicle during adverse weather conditions. Poor visibility can cause disorientation and loss of control of your vehicle.
- Never point the transmitter antenna directly toward the vehicle. The radiation pattern from the tip of the antenna is inherently low.
- If at any time during the operation of your vehicle you observe any erratic or abnormal operation, immediately stop operation of your vehicle until the cause of the problem has been ascertained and corrected.
- Never fly if one of the control functions does not work correctly.

Battery Usage & Charging Warnings

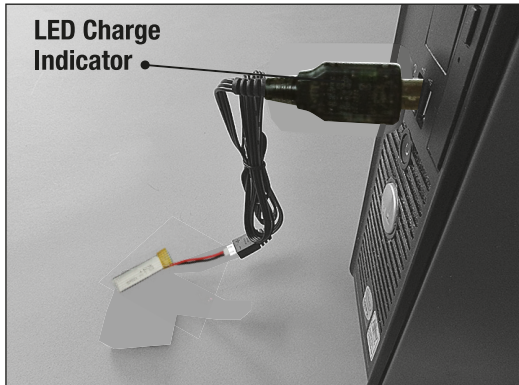
CAUTION: All instructions and warnings must be followed exactly. Mishandling of Li-Po/Li-Ion/Ni-Mh batteries can result in fire, personal injury, and/or property damage.

- The USB battery charger included with your plane(if there be) is designed to safely charge the LiPo battery.
- By handling, charging or using the included battery, you shall assume all risks associated with LiPo battery.
- If at any time the battery begins to balloon or swell, discontinue the usage or charging immediately. If this circumstance arrouses while charging, you should disconnect the USB charging cable immediately from the current. Continue to use, charge or discharge a battery hat is ballooning or swelling can result in fire.
- Always store the battery at room temperature in a dry area for best results.
- Always transport or temporarily store the battery in a temperature range of 40-120 degrees (5-49 degrees centigrade). Do not store battery or your plane in a car or direct sunlight. If stored in a hot car, the battery can be damaged or even cause fire.
- Always charge a battery away from flammable materials.
- Always inspect the battery before charging and never charge damaged batteries.
- Always disconnect the battery after charging, and allow the charger cool before next charge.
- Always constantly monitor the temperature of the battery pack while charging.
- ONLY USE A CHARGER SPECIALLY DESIGNED TO CHARGE SPECIFIC BATTERIES.
- Never discharge Li-Po cells till below 3V under load.
- Never cover waning lables with hook or loop strips.
- Never leave charging batteries unattended.
- Never charge batteries outside recommended levels.
- Never attempt to dismantle or alter the charger.
- Never allow minors to charge battery packs.
- Never charge batteries in extremly hot or cold places(recommended between 40-120 Fahrenheit degrees (5-49 degrees centigrade) or in direct sunlight.
- Never charge or storage the battery in the model.
- Always remove the battery after your flight.
- Never charge the battery without supervision.

Box Content



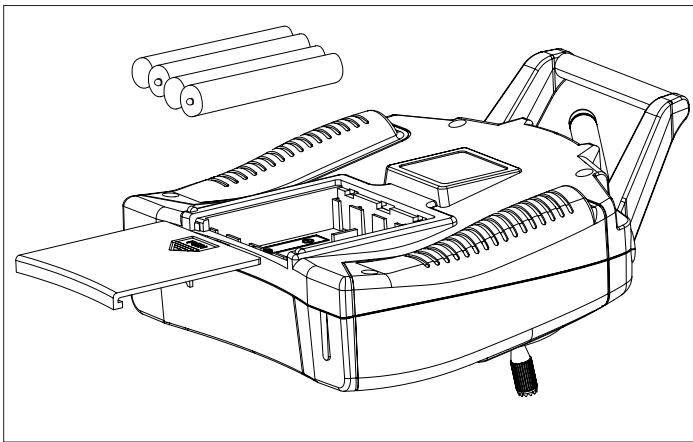
Charging Instruction



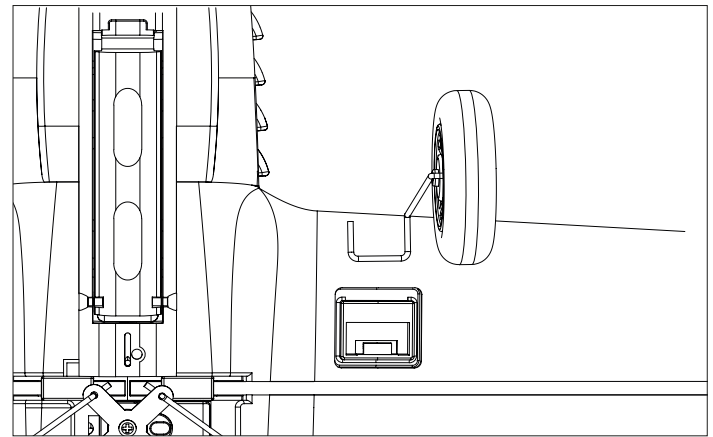
1. Unplug the battery from your plane.
 2. Carefully plug the charger into the USB port on your computer or USB adapter.
 3. Connect battery into the charger.
 4. The charging process takes about 3 hours.
- For safety reasons, never charge the battery for longer than 4 hours.

While charging, the red LED indicator will be flashing.
When the charging is finished, the red LED will be off.

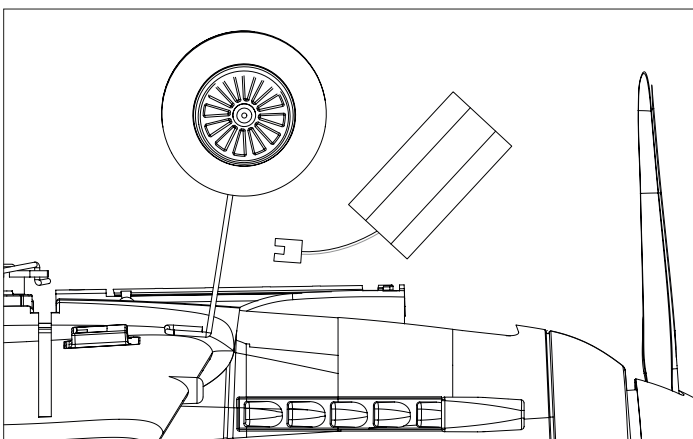
Setup Instruction



1. Install 4 AA batteries (not included) in the transmitter.



2. Plug the landing gears into the position on the mainwing as shown above.



3. Connect the battery to the receiver, then stick the battery into the cabin.

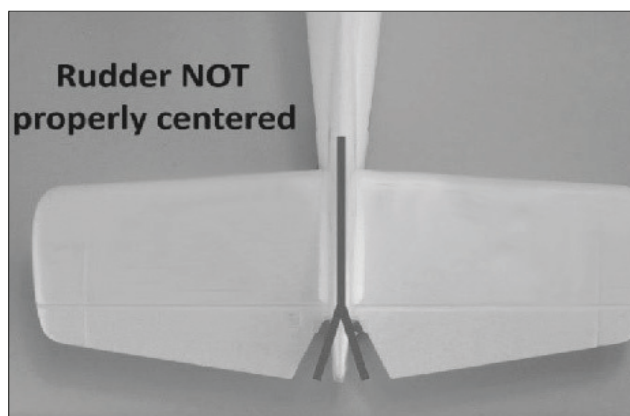
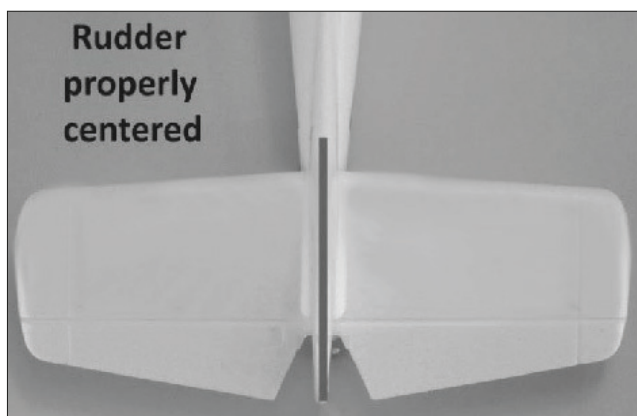


4. Setup is done. Make sure you read and follow all instructions in this manual before start flying the airplane.

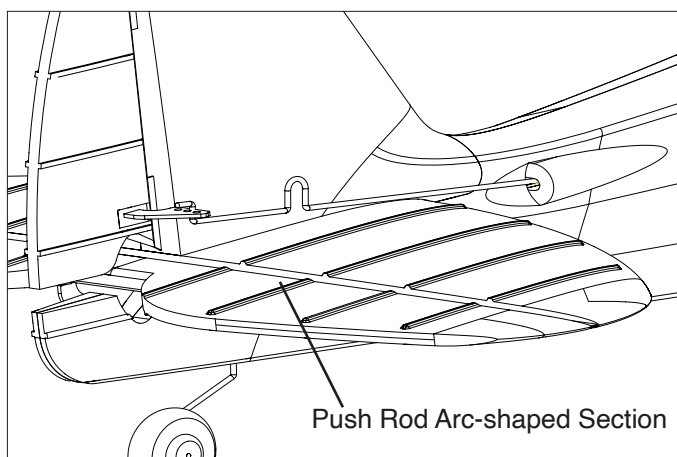
Center Control Surfaces

NOTE: Keep the X-PILOT switch off (manual mode) before you operate the steps below. See more information in "X-PILOT switch" section.

With the transmitter turned on and the battery connected to the ESC (and installed in the battery compartment), it is now possible to check the center of all control surfaces.



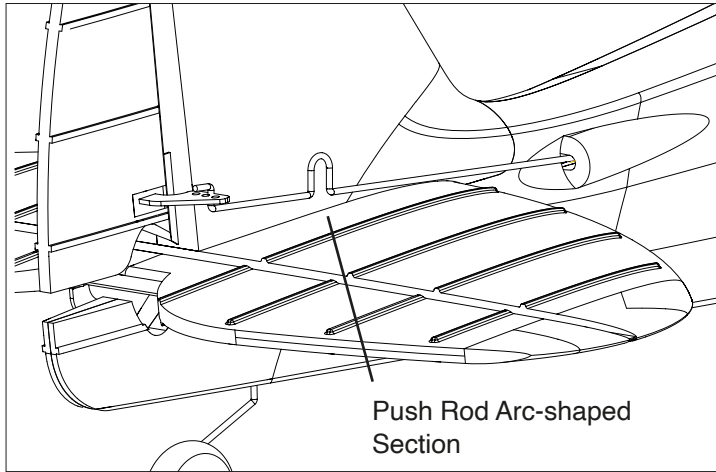
Observe the rudder to ensure it is properly centered as shown above.



If the rudder is angled off to the right or left, adjust the push rod by its arc-shaped section slightly, making sure the rudder is properly centered.

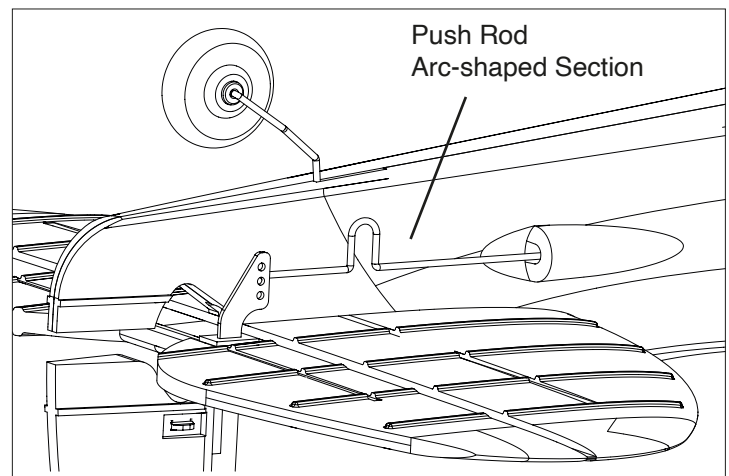


Then observe the elevator to ensure it is properly centered as shown above.

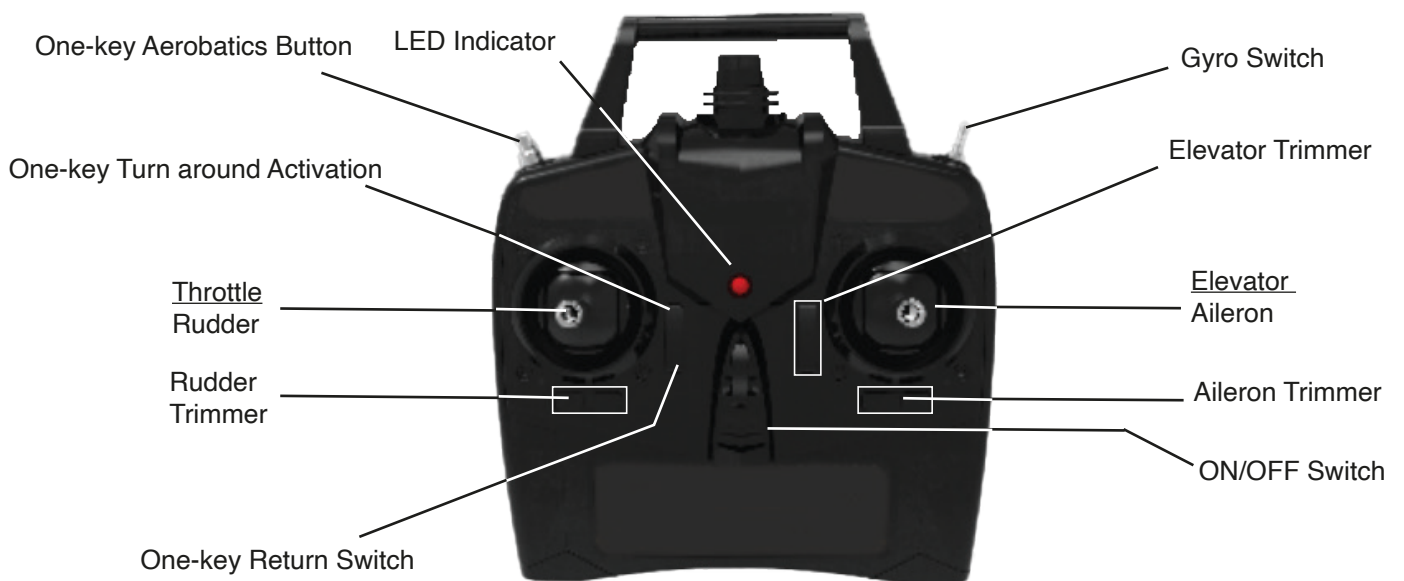


If the rudder is angled off to the right or left, adjust the push rod by its arc-shaped section slightly, making sure the rudder is properly centered.

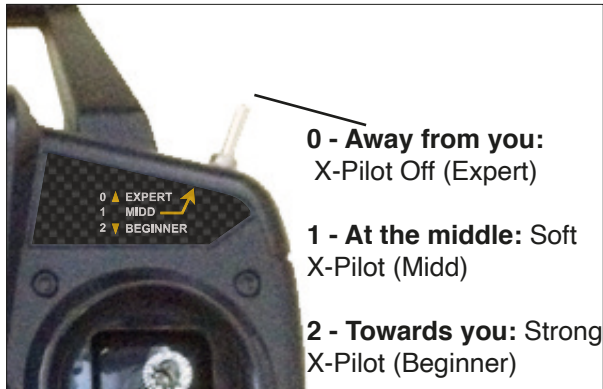
If the elevator is angled off to the upper or lower position, adjust the push rod by its arc-shaped section slightly, making sure the elevator is properly centered.



Transmitter Instruction



X-Pilot Switch



- The airplane comes with pre-installed **X-PILOT** to help control flying easily.
- The switch is with 3 levels to control the **X-PILOT**. To turn on the X-PILOT, switch to upper position (towards you).
- To turn off the **X-PILOT**, switch to lower position. (away from you).

CAUTION: It is strongly suggested to turn on X-PILOT while flying the airplane.

Binding Instruction

Binding is the process of programming the receiver to recognize the GUID (Globally Unique Identifier) code of a single specific transmitter. When a receiver is bound to a transmitter, the receiver will only respond to that specific transmitter.

If you need to rebind for any reason, please follow these steps:

1. Keep the transmitter switched OFF, throttle joystick at bottom position.

NOTICE: Keep X-PILOT switch at Middle or Beginner position.

NOTICE: Keep the plane still in a calm environment for calculating the X-PILOT.

2. Connect the battery to the plane, then turn on the transmitter within 5 seconds.

3. The receiver LED will flash for 3-8 seconds to bind automatically.

4. After the receiver LED stop flashing, it means the binding process is done.

Follow below steps when you operate a bound plane:

1. Power on transmitter first.

2. Connect the battery to the plane within 3 seconds.

3. The receiver LED in plane will flash and then turn to solid in several seconds.

4. Switch the X-PILOT control stick to X-PILOT assist level(MIDD or BEGINNER).

NOTICE: Allow the airplane stay still about 3~5 seconds in a calm environment when you first time turn on X-PILOT, in order to calibrate and activate the X-PILOT. When the X-PILOT starts to react, means it is activated.

5. Turn throttle stick up to max and then down to min to arm the motor.

CAUTION: Do NOT operate around people or property, otherwise it may cause serious damage!

Throttle Unlock (Arming)

To prevent from damages, the throttle channel is locked each time when powering on your transmitter.

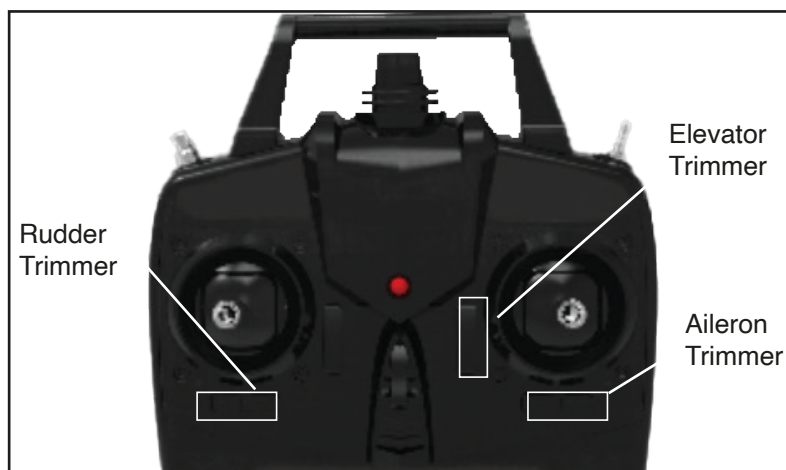
Follow below instruction to unlock the throttle.

CAUTION: Keep the propeller in distance for your safety.

Turn the throttle stick up to max position until you hear a "beep" sound. Then turn the throttle stick down to min position until you hear a "beep" sound.

Now the throttle is unlocked.

Digital Trims



Digital trims allow to adjust the centered position of aileron, rudder or elevator hinge. Each time when a trimmer is moved, the servo output will change one angle. If the trimmer is held, the output will scroll in that direction until the trimmer is released or the output reaches its end. When you hear a short "beep" sound, it means the trimmer is centered.

Channels Reactions Checking

Transmitter Operaton	Reaction

Swing The Plane	X-PILOT Reaction

Place your plane in a neutral position, follow below steps to check the channels reactions. Move the sticks(except the throttle stick) to see if all servo surfaces react correctly as shown in the left diagram(left throttle for example). Swing your plane to check if all servo surfaces react correctly as shown in the right diagram.

One-key Aerobatics Instruction

The one-key aerobatics feature allows beginner pilot to perform aerobatic actions by simply pressing the button on transmitter. During flight, under X-PILOT control mode, press the one-key aerobatics button, the transmitter will beep several times. During the beeping, simply move the aileron stick to either direction for auto-roll. Or move the elevator stick to either direction for auto-flip.

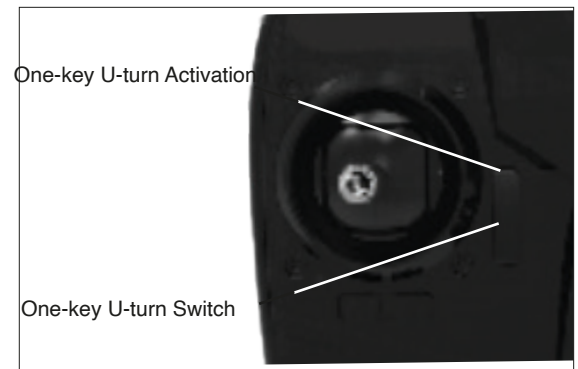
One-key U-turn Instruction

The airplane comes with one-key U-turn function, which enable the plane to U-turn by the opposite direction that the airplane is currently flying. Follow below steps to activate the function.

1. Place your plane heading to the take-off direction.
2. Do **NOT** unlock the throttle, press the activation button and hold for several seconds until you hear a "beep" sound, the rudder surface will respond, meaning the one-key U-turn function is now activated.

NOTICE: Every time when you power on the plane, it requires to activate the one-key U-turn function. To use this function during flight, press the one-key U-turn switch button, the plane will turn around automatically, back to the opposite direction where it takes off.

To quit, just press again the switch button, or control any servo stick (rudder/elevator), the plane will back to your control immediately. No matter you flies the plane under manual control or X-PILOT assist mode, when you turn on the one-key U-turn function, the plane will enter X-PILOT assist mode automatically to help stably flying back. When you quit this function, the airplane will back to the what the control mode it was.



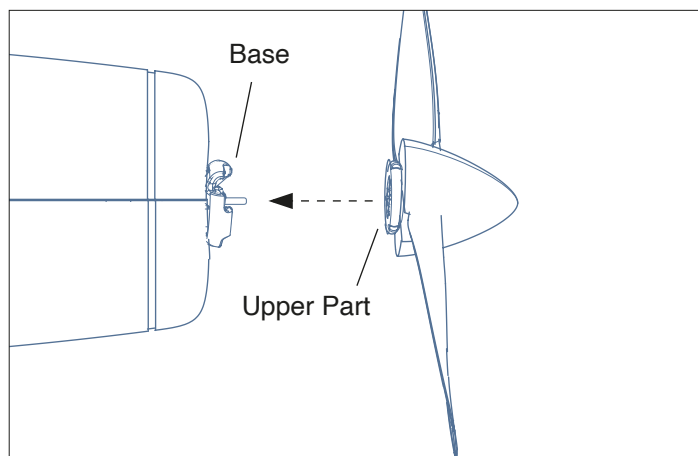
CAUTION: This function is bound to the receiver, instead of to the transmitter, which means the plane will U-turn **ONLY** to the opposite direction that the plane is flying. It also means when the plane U-turns and passes the position where you activated the function, the one-key U-turn function will **NOT** U-turn the plane back to the older position.

X-PILOT System Calibration

1. Turn the throttle stick to min position.
2. Power on the transmitter and the receiver.
3. Do **NOT** unlock the throttle.
4. Keep the sticks as above picture for several seconds.
5. When you hear a "beep" sound, it means the X-PILOT system is calibrated based on the horizontal level you are keeping it.

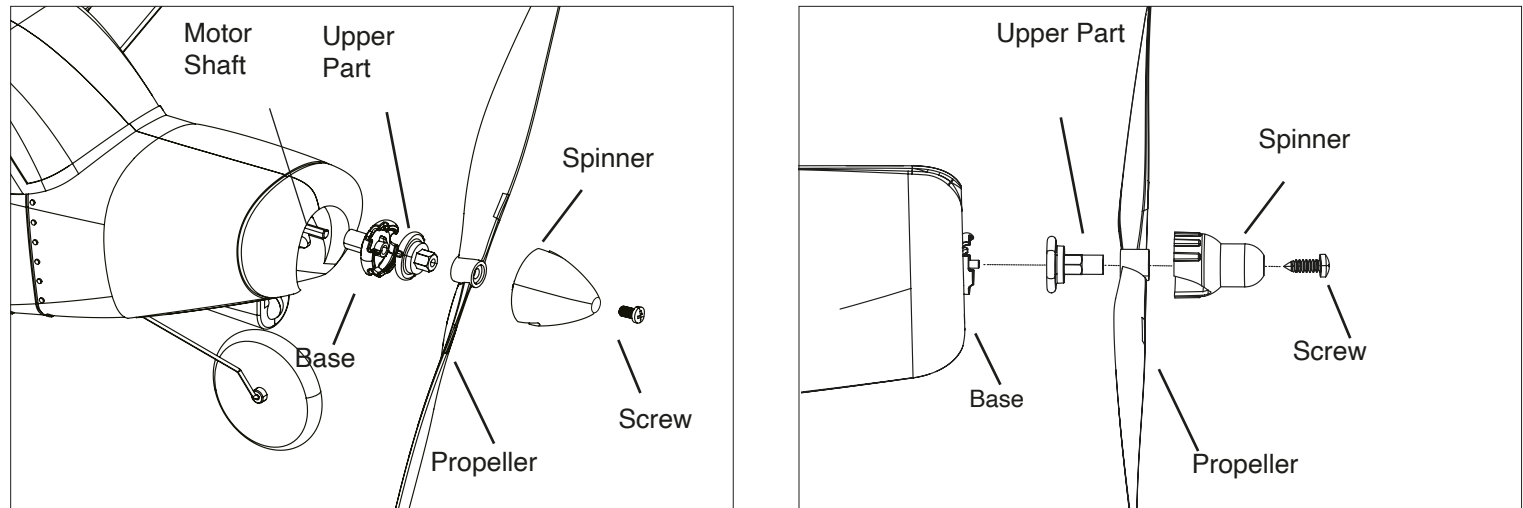


Propeller Saver Instruction



The propeller saver keeps the propeller from damage, and prevent the electronic components from over current. When the airplane hits any obstacle, the propeller will loose from the base. To install the propeller back to the base, insert the upper part centerly through the motor shaft, and hearing a "click" sound to ensure it is secured.

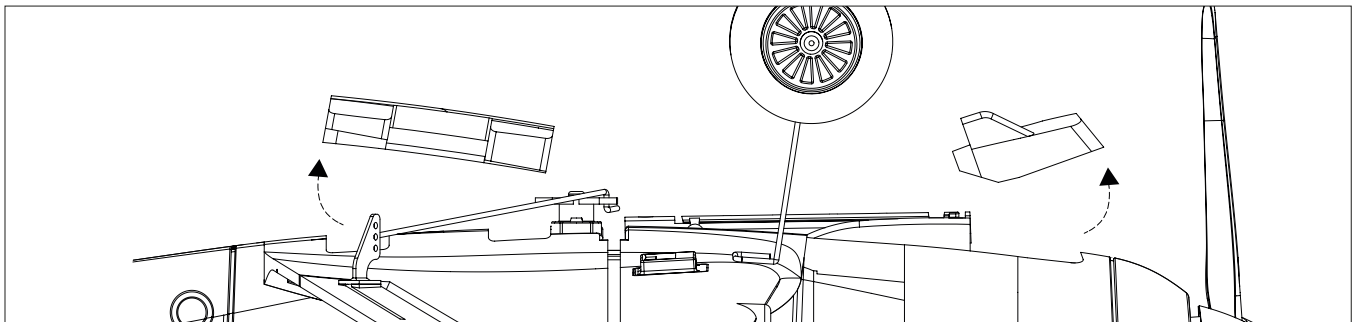
Propeller Replacement



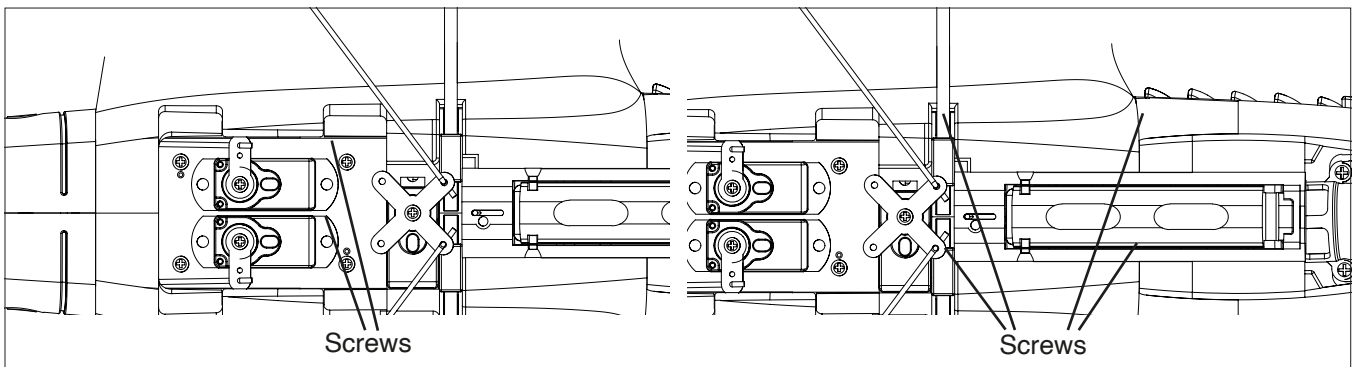
Follow below steps to replace broken propeller and shaft adaptor. You will need help of a Philips screw driver and pliers(not included).

1. Take off the spinner and propeller by loosen the screw with a Philips screw driver.
2. Take off the shaft adaptor carefully. If it is too tight, use pliers to help.
3. Replace any part broken.
4. Install all parts back by inverted orders to finish the replacement.

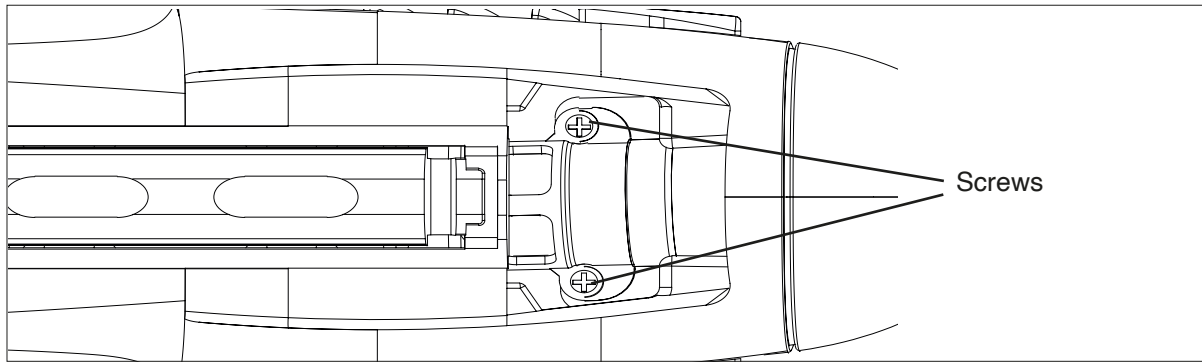
Propeller System Replacement



1. Take off the cover in the head of fuselage to replace the motor, or the cover in the middle of fuselage to replace the receiver. It is no need of tool to take off the covers.



2. Follow below steps to replace the receiver.
 - a. Loosen the screws of servo horns, take the servo horns off.
 - b. Unplug the motor cable and the mainwing servo cable. You may need to record the direction of cable plugs.
 - c. Loosen the screws as shown to take off the the receiver.



3. Follow below steps to replace the motor.

- a. Unplug the motor cable from receiver board. You may need to record the direction of cable plug.
- c. Loosen the screws as shown to take off the the motor.

Flight Checklist

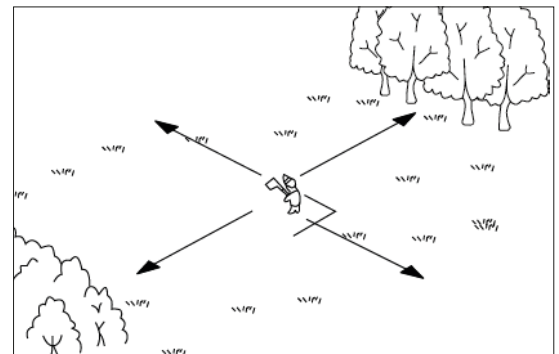
NOTE: This checklist is NOT intended to replace the content included in this instruction manual. Although it can be used as a quick start guide, we strongly suggest that read all though the manual completely before proceeding.

- Ensure the throttle control stick is at bottom position before connecting the battery.
- Fly the model(hand-launch or take off from a flat/level surface).
- Land the model on a flat/level surface.
- Unplug the battery.
- Always turn off the transmitter last.

Find a Flight Field

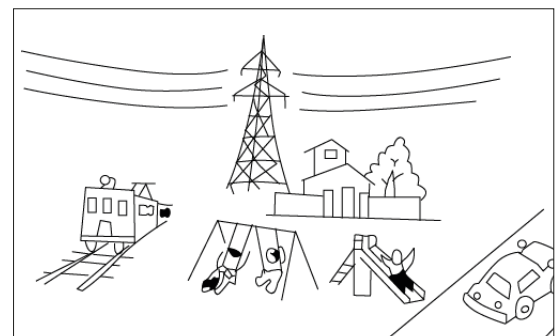
Based on the size and weight of the plane it is typically considered to be a "park flyer" class airplane. As a result it is best to fly the plane at a local park, schoolyard, flying field or other area that is large enough and free of people and obstructions. We recommend an area the size of at least one football/soccer field. However, even larger areas are better suited and preferred especially when learning how to fly. Do NOT fly in parking lots, crowded neighborhood areas or in areas that are not free of people or obstructions.

We also suggest flying over grass as it is a much more forgiving surface that causes less damage in the unfortunate event or a crash. Short grass is better for takeoffs and landings as grass that is too long can cause the airplane to nose-over/flip and be damaged. An ideal flying area allows for takeoffs and landings on a smoother surface(such as asphalt) and flying over grass.



Fly in spacious ground without obstacles and boskage. Never fly the plane near highway, railway, high tension line, crowded people, flying area and residential area.

NOTE: The plane is designed to be flew outdoors only.



Flying Conditions

It is typically best to fly on days that are calm without wind, especially when learning how to fly. It is strongly suggested flying only in calm conditions until you are familiar with the controls and handling of the model. Even light winds can make it much more difficult to learn to fly, and in some cases can even carry the model beyond your line of sight.

Also, if you are a first-time or low-time pilot, we highly recommend that allow a more experienced pilot to test fly and properly trim the model before attempting your first flight. A proven flyable and properly trimmed model is significantly easier and more enjoyable to fly.

After you have properly trimmed the airplane in calm conditions and become familiar with its handling/capabilities you will be able to fly in light winds or depending on your experience and comfort level, in winds up to 5-7 mph.

Do NOT fly on days when significant moisture, such as rain or snow, is present.

Disclaimer of Warranties:

- This model must not be used by children younger than 14 years
 - it contains small parts that could be swallowed
 - Keep hands, face, hair and loose clothing away from the propeller
 - do not reach into rotating parts
 - Always disconnect the battery connector after the flight and remove the battery from the model!
 - Only fly where it is safe and where you do not endanger third parties
 - Keep the operating instructions in a safe place and read them carefully and completely before using the model.
 - We recommend people with no knowledge of model flying to commission the model under the guidance of an experienced pilot
 - Before each flight, test the range of the remote control and the charge status of the rechargeable battery and check the batteries or rechargeable batteries in the remote control.
 - Do not fly near crowds of people, towards people or animals, in poor visibility, near high-voltage lines, radio masts or during thunderstorms, rain, snow or in a damp environment.
1. Always keep the aircraft in sight and under control.
 2. Always use fully charged batteries / rechargeable batteries.
 3. Always switch on the model first, then the transmitter, and always switch off the model first, followed by the transmitter.
 4. Do not use the model if it is visually or mechanically damaged.
 5. Always check all screw connections and structures for tightness and damage
 6. Never reach into the rotating propeller - risk of injury!
 7. Always disconnect and remove the flight battery from the model after the flight.
 8. Always charge and store the battery outside of the model, charge on a non-flammable surface, never store the battery in the model. Never charge batteries unobserved!

Check about the legal provisions applicable in your country


Inhaltsverzeichnis


Warnhinweise, Sicherheitshinweise.....	16
Warnungen Akku: Nutzung und Ladung.....	17
Inhalt der Schachtel.....	17
Anleitungen: Aufladen und Einrichtung.....	18
Zentrale Steuerflächen.....	19-20
Anleitung für den Sender.....	20
X-Pilot Schalter.....	21
Anleitung: Bindung.....	21
Drosselklappenentriegelung (Scharfschaltung).....	21
Digitale Trimmungen.....	22
Kontrolle: Reaktionen der Kanäle.....	22
Anleitung: Kunstflug.....	22
Anleitung: Wenden mit einer Taste.....	23
Kalibrierung: X-Pilot System.....	23
Propeller-Saver-Anleitung.....	23
Propeller Einsatz.....	24
Propellersystem-Ersatz.....	24
Flug-Checkliste.....	25
Flugplatz finden.....	25
Flugbedingungen.....	26
Gewährleistungsausschluss.....	26
Konformitätserklärung.....	27

WARNHINWEIS

Die folgenden Begriffe werden in der gesamten Anleitung verwendet, um auf verschiedene Stufen möglicher Schäden beim Betrieb dieses Produkts hinzuweisen.

ACHTUNG: Bei nicht ordnungsgemäßer Befolgung der Anleitung, kann es zu Sachschäden oder Verletzungen führen.

 Lesen Sie die GESAMTE Bedienungsanleitung, um sich mit den Funktionen des Produkts vertraut zu machen, bevor Sie es in Betrieb nehmen. Wenn Sie das Produkt nicht richtig bedienen, kann es zu Schäden am Produkt, an persönlichem Eigentum und zu schweren Verletzungen kommen.

 Dies ist ein anspruchsvolles Hobbyprodukt und KEIN Spielzeug. Es muss mit Vorsicht und gesundem Menschenverstand bedient werden und erfordert einige grundlegende mechanische Fähigkeiten. Wird dieses Produkt nicht auf sichere und verantwortungsbewusste Weise betrieben, kann dies zu Verletzungen oder Schäden am Produkt oder an anderen Gegenständen führen. Dieses Produkt ist nicht für den Gebrauch durch Kinder ohne direkter Aufsicht von Erwachsenen bestimmt. Versuchen Sie nicht, das Produkt zu zerlegen, mit inkompatiblen Komponenten zu verwenden oder in irgendeiner Weise zu erweitern, ohne die Genehmigung von MSG Online/MODSTER einzuholen. Dieses Handbuch enthält Anweisungen zu Sicherheit, Betrieb und Wartung. Lesen und befolgen Sie unbedingt alle Anweisungen und Warnhinweise in diesem Handbuch, bevor Sie das Gerät zusammenbauen, einrichten oder verwenden, um einen ordnungsgemäßen Betrieb zu gewährleisten und Schäden oder schwere Verletzungen zu vermeiden.

Altersempfehlung: Nicht für Kinder unter 14 Jahren geeignet. Dies ist kein Spielzeug.

Sicherheitshinweise

Als Benutzer dieses Produkts sind Sie allein dafür verantwortlich, das Produkt so zu betreiben, dass Sie sich selbst und andere nicht gefährden oder das Produkt oder das Eigentum anderer nicht beschädigen.

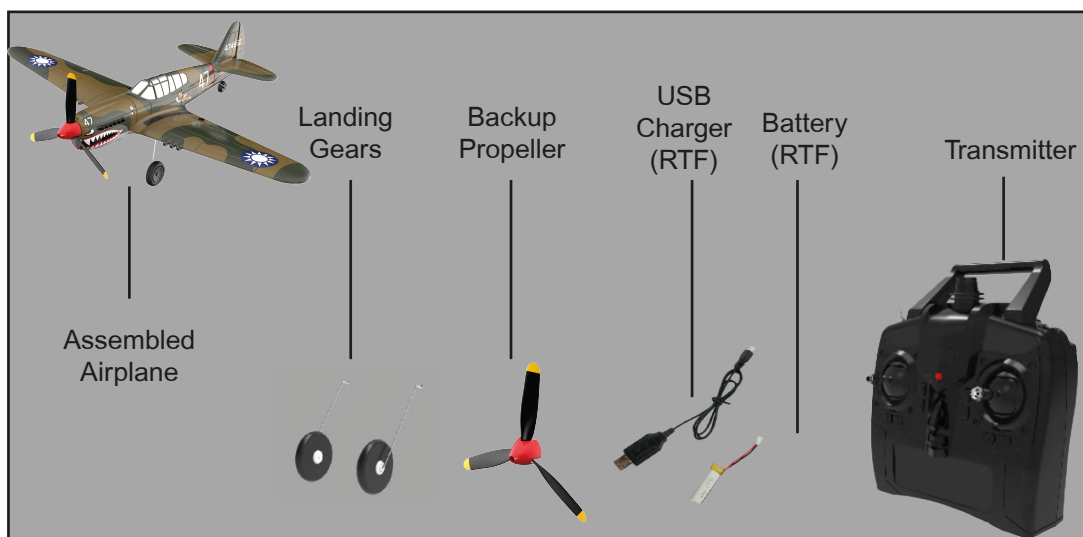
- Vergewissern Sie sich immer, dass alle Batterien ordnungsgemäß geladen sind, bevor Sie das Fahrzeug benutzen.
- Überprüfen Sie vor jedem Flug alle Servos, alle Anschlüsse und alle korrekten Steuerfunktionen.
- Betreiben Sie Ihr Fahrzeug niemals in der Nähe von Zuschauern, Parkplätzen oder anderen Bereichen, die zu Verletzungen von Personen oder Sachschäden führen könnten.
- Betreiben Sie Ihr Fahrzeug niemals bei ungünstigen Wetterverhältnissen. Schlechte Sicht kann zu Orientierungslosigkeit und zum Verlust der Kontrolle über Ihr Fahrzeug führen.
- Richten Sie die Sendeantenne niemals direkt auf das Fahrzeug. Das Strahlungsdiagramm an der Antennenspitze ist von Natur aus schwach.
- Wenn Sie zu irgendeinem Zeitpunkt während des Betriebs Ihres Fahrzeugs einen unregelmäßigen oder abnormalen Betrieb beobachten, stellen Sie den Betrieb Ihres Fahrzeugs sofort ein, bis die Ursache des Problems festgestellt und behoben wurde.
- Fliegen Sie niemals, wenn eine der Steuerfunktionen nicht korrekt funktioniert.

Warnungen zu Akku Nutzung und -Ladung

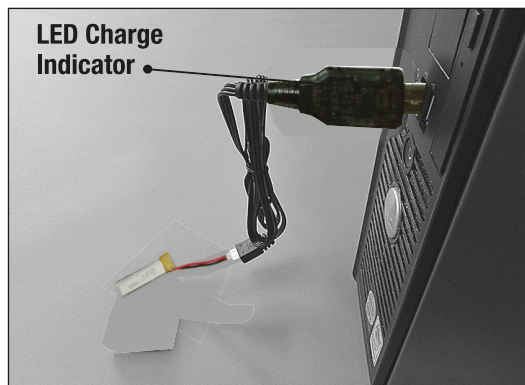
ACHTUNG: Alle Anweisungen und Warnhinweise müssen genau befolgt werden. Falsche Handhabung von Li-Po/Li-Ion/Ni-Mh-Akkus kann zu Feuer, Verletzungen und/oder Sachschäden führen.

- Das mitgelieferte USB-Ladekabel ist so konzipiert, dass es den LiPo Akku sicher lädt.
- Durch die Handhabung, das Aufladen oder die Verwendung des mitgelieferten Akkus übernehmen Sie alle mit dem LiPo Akku verbundenen Risiken.
- Sollte der Akku zu irgendeinem Zeitpunkt anfangen, sich aufzublähen oder anzuschwellen, stellen Sie die Verwendung oder das Aufladen sofort ein. Wenn dieser Umstand während des Ladevorgangs eintritt, sollten Sie das USB-Ladekabel sofort vom Strom trennen. Wenn Sie einen Akku, der sich aufbläht oder anschwillt, weiter verwenden, aufladen oder entladen, kann dies zu einem Brand führen.
- Lagern Sie den Akku bei Raumtemperatur an einem trockenen Ort, für optimale Ergebnisse.
- Transportieren oder lagern Sie den Akku immer in einem Temperaturbereich von 45-49°C. Lagern Sie den Akku oder Ihr Flugzeug nicht im Auto oder im direkten Sonnenlicht. Wenn der Akku in einem heißen Auto gelagert wird, kann er beschädigt werden oder sogar einen Brand verursachen.
- Laden Sie den Akku immer in ausreichender Entfernung von brennbaren Materialien auf.
- Überprüfen Sie die Batterie vor dem Laden und laden Sie niemals beschädigte Batterien.
- Trennen Sie die Batterie nach dem Aufladen immer und lassen das Ladegerät abkühlen.
- Überwachen Sie während des Ladevorgangs ständig die Temperatur des Akkus.
- Verwenden Sie nur ein Ladegerät, das speziell für bestimmte Akku ausgelegt ist.
- Entladen Sie Li-Po-Zellen unter Last nie unter 3V.
- Decken Sie abnehmende Kabel niemals mit Klettbindern ab.
- Lassen Sie ladende Akkus nie unbeaufsichtigt.
- Laden Sie Akkus nie außerhalb der empfohlenen Werte.
- Versuchen Sie niemals, das Ladegerät zu zerlegen oder zu verändern.
- Erlauben Sie niemals Minderjährigen, Akkus zu laden.
- Laden Sie Akkus niemals an extrem heißen oder kalten Orten (empfohlen zwischen 40-120 Grad Fahrenheit / 5-49 Grad Celsius) oder in direktem Sonnenlicht.
- Laden oder lagern Sie den Akku niemals im Modell.
- Entfernen Sie den Akku immer nach dem Flug.
- Laden Sie den Akku niemals ohne Aufsicht auf.

Inhalt der Schachtel



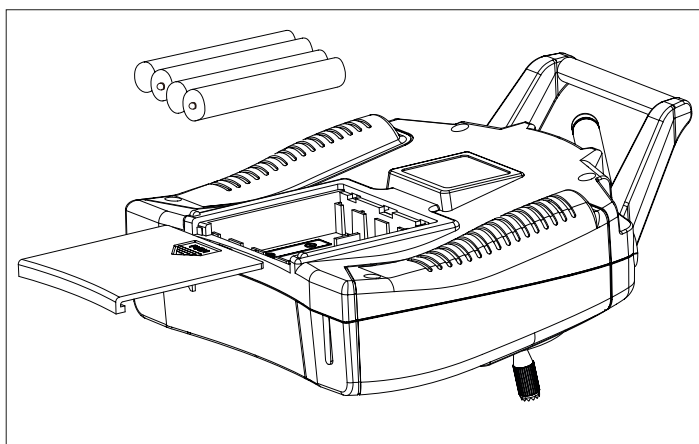
Anleitung zum Aufladen



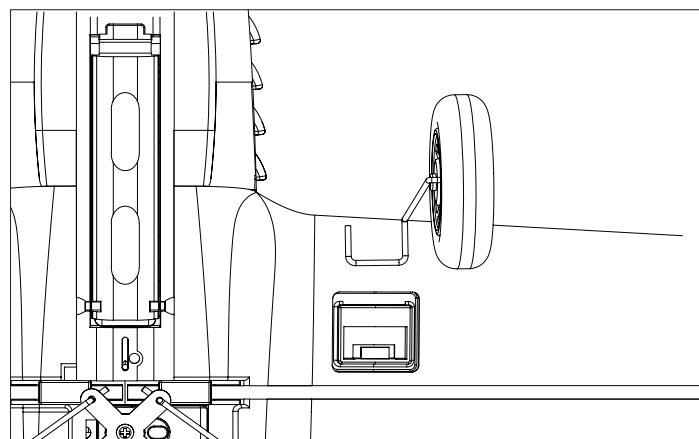
1. Trennen Sie den Akku von Ihrem Flugzeug.
 2. Schließen Sie das USB-Ladegerät vorsichtig an den USB-Anschluss Ihres Computers oder USB-Adapters an.
 3. Schließen Sie den Akku an das Ladegerät an.
 4. Der Ladevorgang dauert etwa 3 Stunden.
- Aus Sicherheitsgründen sollten Sie den Akku nie länger als 4 Stunden aufladen.

Während des Ladevorgangs blinkt die rote LED-Anzeige. Wenn der Ladevorgang beendet ist, erlischt die rote LED-Anzeige.

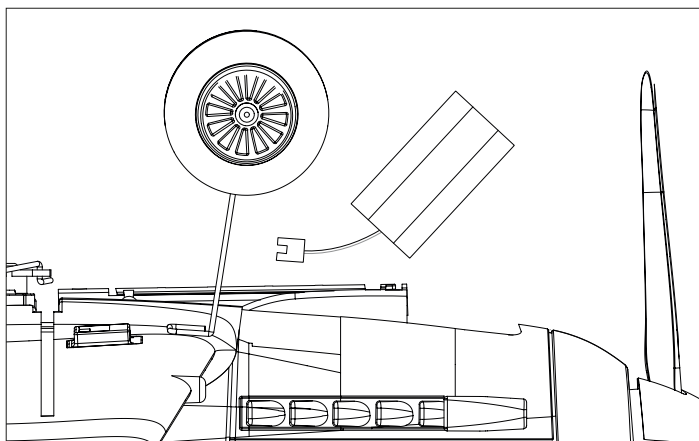
Anleitung zur Einrichtung



1. Legen Sie 4 AA-Batterien (nicht im Lieferumfang enthalten) in den Sender ein.



2. Stecken Sie die Fahrwerke in die oben gezeigte Position auf dem Hauptflügel.



3. Schließen Sie den Akku an den Empfänger an und stecken Sie ihn dann in die Kabine.

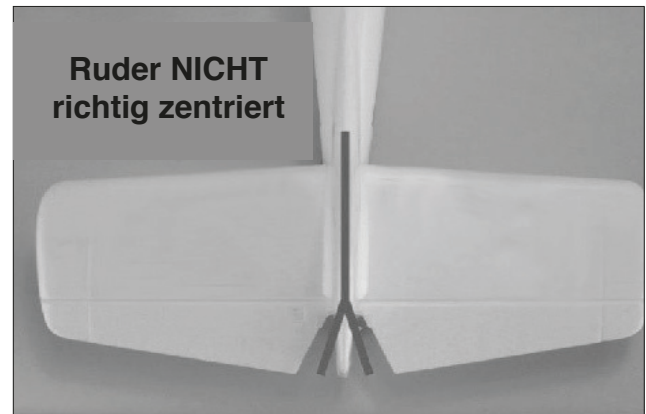
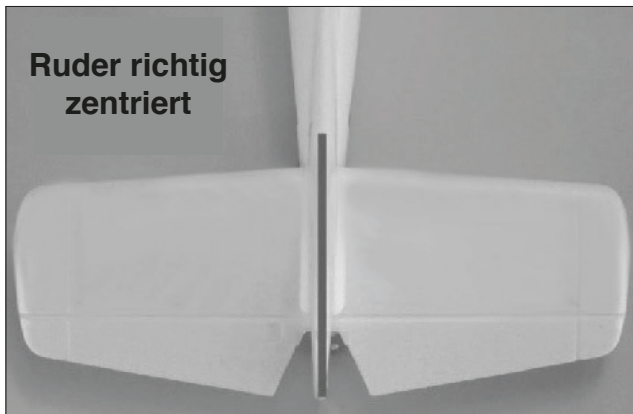


4. Die Einrichtung ist abgeschlossen. Stellen Sie sicher, dass Sie alle Anweisungen in diesem Handbuch lesen und befolgen, bevor Sie das Flugzeug fliegen.

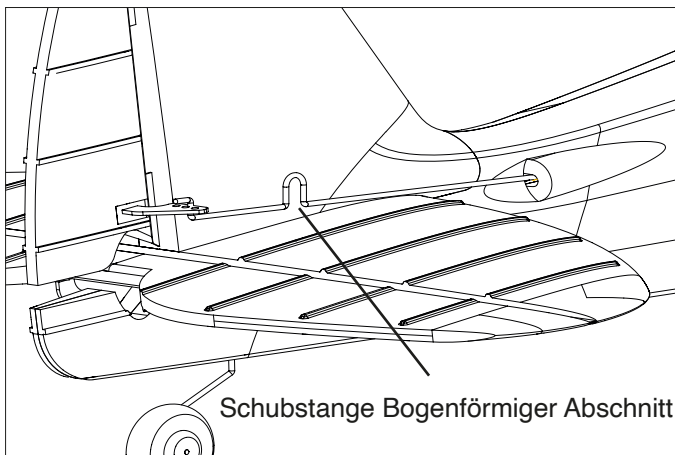
Zentrale Steuerflächen

HINWEIS: Lassen Sie den X-PILOT-Schalter ausgeschaltet (manueller Modus), bevor Sie die folgenden Schritte ausführen. Siehe weitere Informationen im Abschnitt "X-PILOT-Schalter".

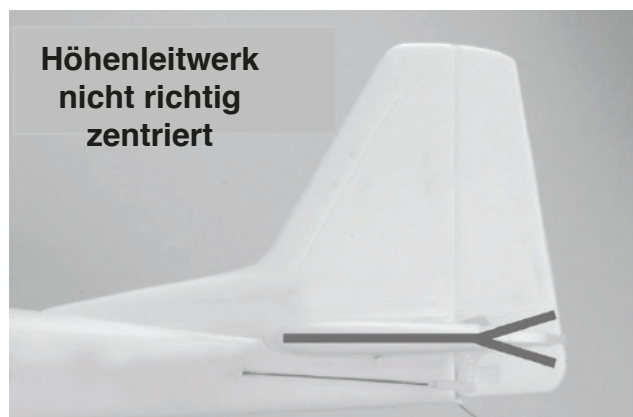
Wenn der Sender eingeschaltet ist und der Akku an den Regler angeschlossen (und im Akkufach installiert) ist, können Sie nun die Mitte aller Steuerflächen überprüfen.



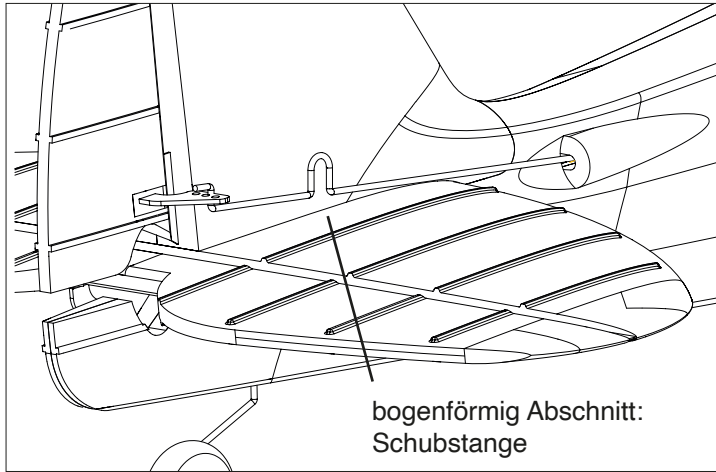
Beobachten Sie das Ruder, um sicherzustellen, dass es wie oben gezeigt richtig zentriert ist.



Wenn das Ruder nach rechts oder links abgewinkelt ist, passen Sie die Schubstange an ihrem bogenförmigen Abschnitt leicht an und stellen Sie sicher, dass das Ruder richtig zentriert ist.

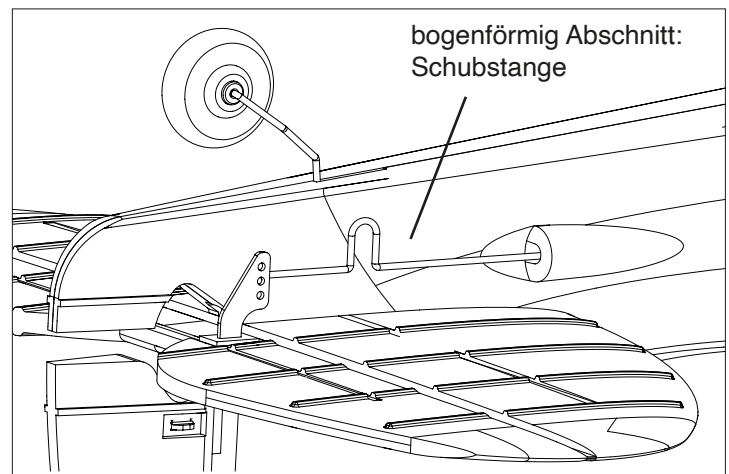


Beobachten Sie dann das Höhenruder, um sicherzustellen, dass es wie oben gezeigt richtig zentriert ist.

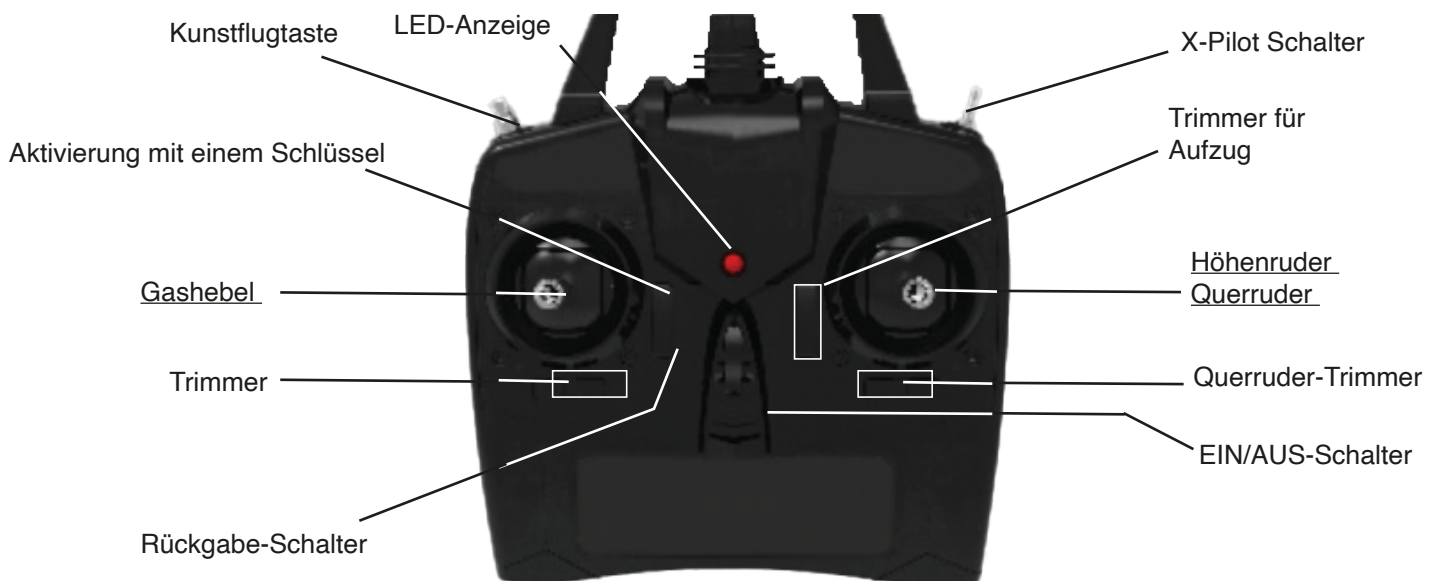


Wenn das Ruder nach rechts oder links abgewinkelt ist, passen Sie die Schubstange an ihrem bogenförmigen Teil leicht an und stellen Sie sicher, dass das Ruder richtig zentriert ist.

Wenn das Höhenruder in der oberen oder unteren Position abgewinkelt ist, stellen Sie die Schubstange an ihrem bogenförmigen Abschnitt leicht ein und achten Sie darauf, dass das Höhenruder richtig zentriert ist.



Anleitung für den Sender



X-Pilot Schalter



Das Flugzeug wird mit vorinstalliertem X-PILOT geliefert, um das Fliegen leicht zu steuern. Der Schalter verfügt über 3 Stufen zur Steuerung des X-PILOT.

- Um den X-PILOT einzuschalten, schalten Sie ihn in die obere Position (zu Ihnen hin).
- Um den X-PILOT auszuschalten, schalten Sie ihn in die untere Position. (von Ihnen weg).

ACHTUNG: Es wird dringend empfohlen, den X-PILOT während des Fluges einzuschalten.

Anleitung: Bindung

Unter Bindung versteht man die Programmierung des Empfängers zur Erkennung des GUID (Globally Unique Identifier) Code eines einzelnen spezifischen Senders. Wenn ein Empfänger an einen Sender gebunden ist, reagiert er nur auf diesen speziellen Sender. Wenn Sie aus irgendeinem Grund eine neue Bindung vornehmen müssen, gehen Sie bitte wie folgt vor:

1. Schalten Sie den Sender aus und stellen Sie den Gashebel in die untere Position.
HINWEIS: Halten Sie den X-PILOT-Schalter auf der mittleren oder Anfänger-Position.
HINWEIS: Halten Sie das Flugzeug in einer ruhigen Umgebung ruhig, um den X-PILOT zu initialisieren.
2. Schließen Sie den Akku an das Flugzeug und schalten Sie den Sender innerhalb von 5 Sekunden ein.
3. Die Empfänger-LED blinkt 3-8 Sekunden lang, um sich automatisch zu binden.
4. Wenn die Empfänger-LED aufhört zu blinken, ist der Bindevorgang abgeschlossen.

Folgen Sie den folgenden Schritten, wenn Sie ein gebundenes Flugzeug betreiben:

1. schalten Sie zuerst den Sender ein.
2. schließen Sie den Akku innerhalb von 3 Sekunden an das Flugzeug an.
3. die Empfänger-LED im Flugzeug blinkt und leuchtet dann nach einigen Sekunden.
4. den X-PILOT-Steuerknüppel auf die Hilfsstufe (MIDD oder BEGINNER) stellen.
HINWEIS: Wenn Sie den X-PILOT zum ersten Mal einschalten, lassen Sie das Flugzeug ca. 3~5 Sekunden in einer ruhigen Umgebung still stehen. Wenn der X-PILOT anfängt zu reagieren, ist er aktiviert.

5. Drehen Sie den Gashebel auf Maximum und dann auf Minimum, um den Motor zu aktivieren.

ACHTUNG: NICHT in der Nähe von Personen oder Gegenständen arbeiten, sonst kann es zu schweren Schäden kommen!

Gaskanal-Entriegelung (Scharfschaltung)

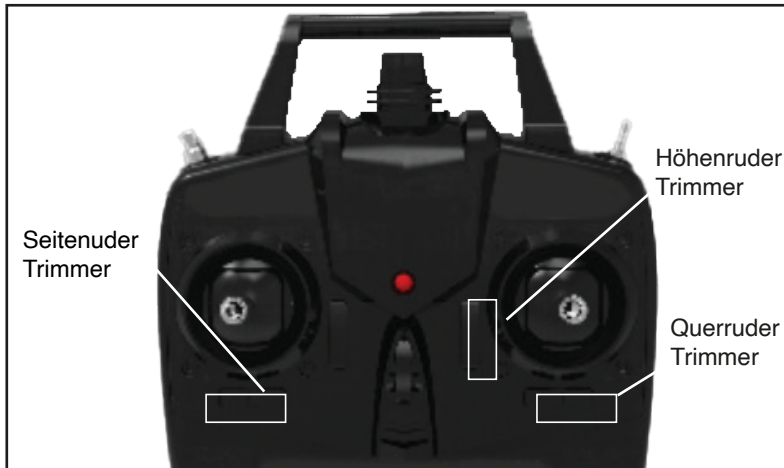
Um Schäden zu vermeiden, wird der Gaskanal jedes Mal beim Einschalten des Senders gesperrt. Folgen Sie den nachstehenden Anweisungen, um den Gashebel zu entriegeln.

ACHTUNG: Halten Sie den Propeller zu Ihrer Sicherheit auf Abstand.

Drehen Sie den Gasknüppel nach oben in die Maximalposition, bis Sie einen "Piepton" hören. Drehen Sie dann den Gasknüppel nach unten in die Minimalposition, bis Sie einen "Piepton" hören.

Jetzt ist der Gashebel entriegelt.

Digitale Trimmungen



Mit den digitalen Trimmern lässt sich die Mittelstellung von Quer-, Seiten- oder Höhenruder einstellen. Jedes Mal, wenn ein Trimmer bewegt wird, ändert sich der Servoausgang um einen Winkel. Wenn der Trimmer gehalten wird, läuft der Ausgang in diese Richtung, bis der Trimmer losgelassen wird oder der Ausgang sein Ende erreicht. Wenn Sie einen kurzen "Piepton" hören, bedeutet dies, dass der Trimmer zentriert ist.

Kontrolle: Reaktionen der Kanäle

Betrieb des Senders	Reaktion

Flugzeug schwenken	X-PILOT Reaktion

Bringen Sie Ihr Flugzeug in eine neutrale Position und folgen Sie den folgenden Schritten, um die Reaktionen der Kanäle zu überprüfen. Bewegen Sie die Steuerknüppel (mit Ausnahme des Gasknüppels), um zu sehen, ob alle Servoflächen korrekt reagieren, wie im linken Diagramm gezeigt (z.B. linker Gashebel). Schwenken Sie Ihr Flugzeug, um zu prüfen, ob alle Servoflächen korrekt reagieren, wie im rechten Diagramm dargestellt.

Anleitung: Kunstflug

Die Ein-Tasten-Kunstflugfunktion ermöglicht es Anfängern, Kunstflugaktionen durch einfaches Drücken der Taste am Sender durchzuführen. Drücken Sie während des Fluges im X-PILOT Steuermodus die Ein-Tasten-Kunstflugtaste und der Sender piept mehrmals. Bewegen Sie während des Piepens einfach den Querruderknüppel in eine der beiden Richtungen, um automatisch zu rollen. Oder bewegen Sie den Höhenruder-Knüppel in eine der beiden Richtungen für Auto-Flip.

Anleitung: Wenden mit einer Taste

Das Flugzeug verfügt über eine Ein-Tasten-U-Turn-Funktion, mit der das Flugzeug in die entgegengesetzte Richtung des Starts umdrehen kann. Führen Sie die folgenden Schritte aus, um die Funktion zu aktivieren.

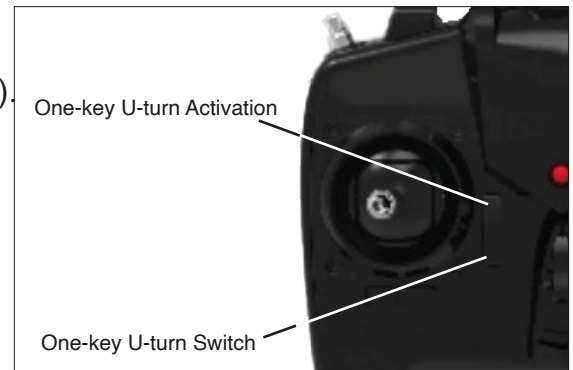
1. Bringen Sie Ihr Flugzeug in Richtung des Starts.
2. Drücken Sie den Aktivierungsknopf und halten Sie ihn einige Sekunden lang gedrückt, bis Sie einen "Piepton" hören; die Ruderfläche reagiert, was bedeutet, dass die Ein-Tasten-U-Turn-Funktion aktiviert ist.

HINWEIS: Jedes Mal, wenn Sie das Flugzeug einschalten, muss diese Funktion aktiviert werden. Um sie während des Fluges zu nutzen, drücken Sie den Ein-Tasten-U-Turn-Schalter. Das Flugzeug dreht sich dann in die entgegengesetzte Richtung, in die es gerade fliegt ist.

Um die Funktion zu beenden, drücken Sie erneut den Schalterknopf oder steuern die Servoknüppel (Seiten-/Höhenruder). Das Flugzeug kehrt sofort in Ihre Kontrolle zurück.

Egal, ob Sie das Flugzeug manuell oder mit X-PILOT fliegen.

Wenn Sie diese Funktion beenden, kehrt das Flugzeug in den vorherigen Steuermodus zurück.



ACHTUNG: Diese Funktion ist an die momentane Flugrichtung gebunden, Das bedeutet, dass das Flugzeug NUR in die entgegengesetzte Richtung des Flugs umdrehen wird. Das bedeutet auch, wenn das Flugzeug wendet und die Position passiert, in der Sie die Funktion aktiviert haben, wird die Ein-Tasten-Wendefunktion das Flugzeug NICHT in die Startposition zurückdrehen.

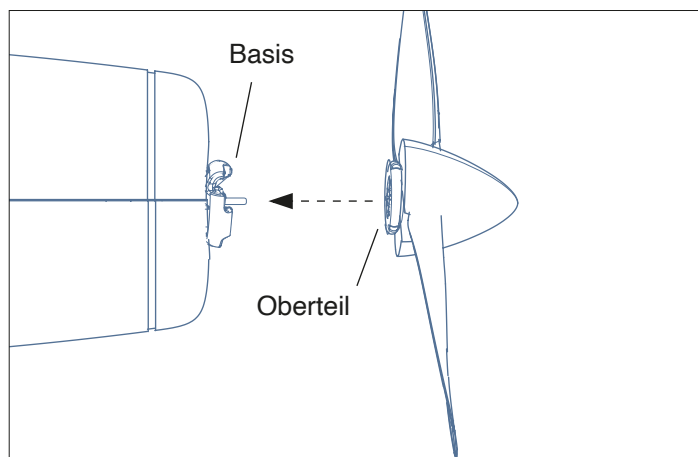
Kalibrierung: X-PILOT System

1. den Gasknüppel in die Minimalposition drehen.
2. schalten Sie den Sender und den Empfänger ein.
3. den Gasknüppel NICHT entriegeln.
4. halten Sie die Knüppel für einige Sekunden wie oben abgebildet.

Wenn Sie einen "Piepton" hören, bedeutet dies, dass das X-PILOT-System auf von Ihnen gehaltenen horizontalen Ebene kalibriert wird.

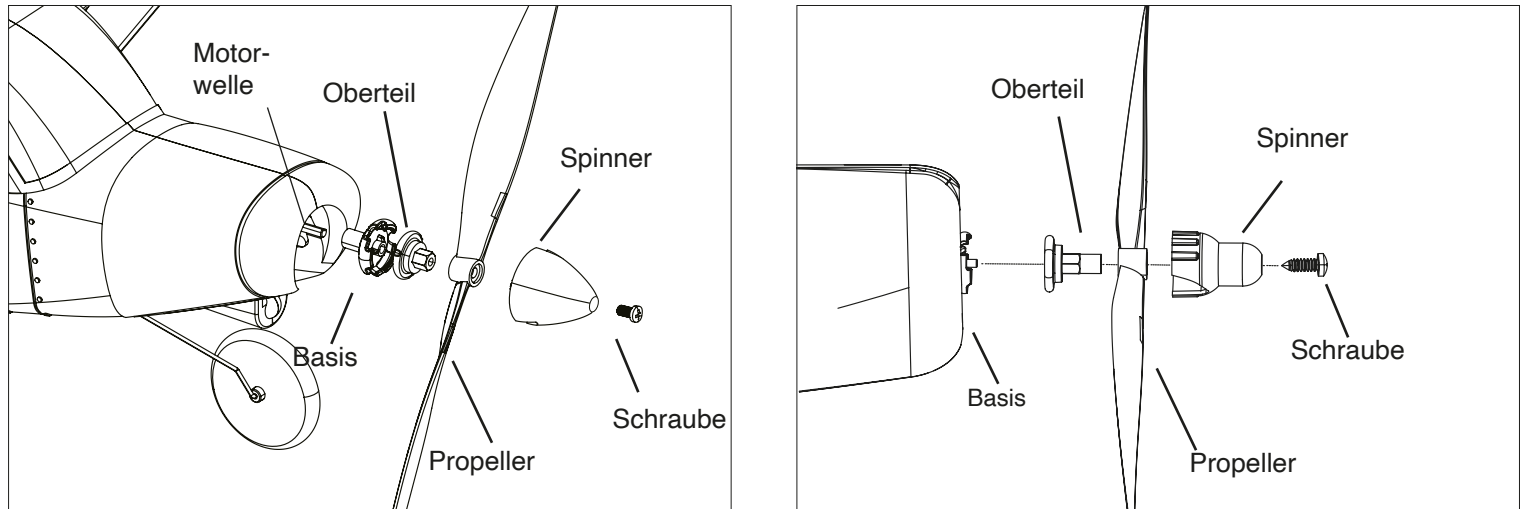


Propeller-Saver-Anleitung



Der Propeller-Saver schützt den Propeller vor Beschädigung und verhindert, dass die elektronischen Komponenten überlastet werden. Wenn das Flugzeug auf ein Hindernis trifft, löst sich der Propeller von der Basis. Um den Propeller wieder in die Basis einzubauen, stecken Sie den oberen Teil mittig durch die Motorwelle und hören Sie ein "Klick"-Geräusch, um sicherzustellen, dass er fest sitzt.

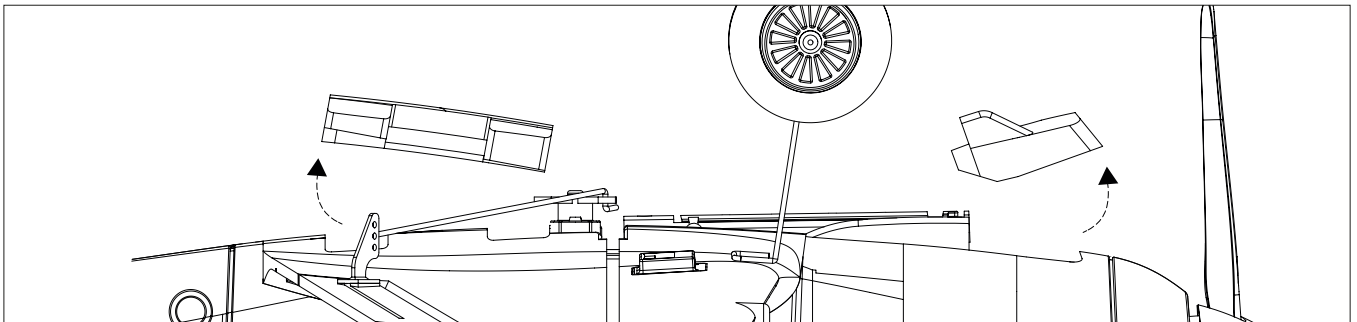
Propeller-Ersatz



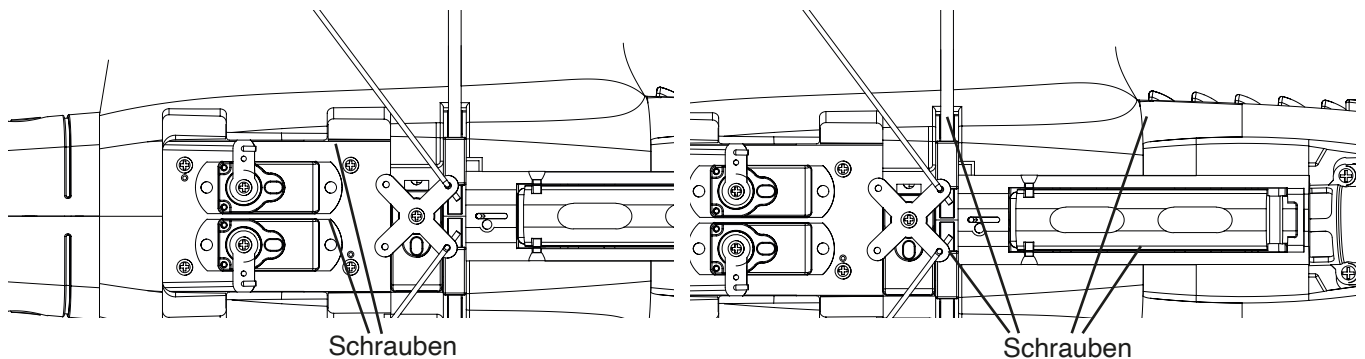
Führen Sie die folgenden Schritte aus, um einen gebrochenen Propeller und Wellenadapter zu ersetzen. Sie benötigen einen Kreuzschlitzschraubendreher und eine Zange (nicht im Lieferumfang enthalten).

1. Nehmen Sie Spinner und Propeller ab, indem Sie die Schraube mit dem Schraubendreher lösen.
2. Nehmen Sie den Wellenadapter vorsichtig ab. Wenn er zu fest sitzt, nehmen Sie eine Zange zur Hilfe.
3. Ersetzen Sie jedes gebrochene Teil.
4. Bauen Sie alle Teile in umgekehrter Reihenfolge wieder ein, um den Austausch abzuschließen.

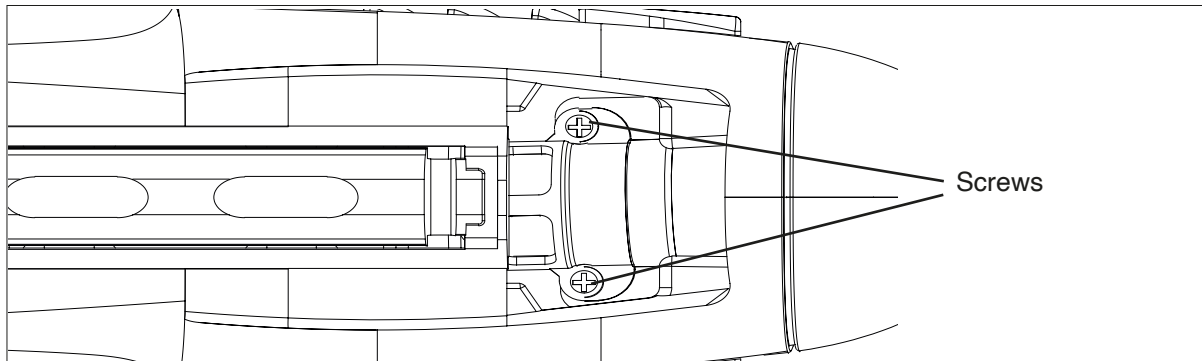
Propellersystem-Ersatz



1. Nehmen Sie die Abdeckung am Kopf des Rumpfes ab, um den Motor zu ersetzen oder die Abdeckung in der Mitte des Rumpfes, um den Empfänger zu ersetzen. Werkzeug ist hierfür nicht erforderlich.



2. Führen Sie die folgenden Schritte aus, um den Empfänger auszutauschen.
 - a. Lösen Sie die Schrauben der Servohörner, nehmen Sie die Servohörner ab.
 - b. Ziehen Sie Motorkabel und Hauptflügel-Servokabel ab. Möglicherweise müssen Sie Richtung der Kabelstecker notieren.
 - c. Lösen Sie die Schrauben wie abgebildet und nehmen Sie den Empfänger ab.



3. Führen Sie die folgenden Schritte aus, um den Motor auszutauschen.

- a. Ziehen Sie Motorkabel von der Empfängerplatine ab. Eventuell müssen Sie die Richtung des Kabelsteckers notieren.
- c. Lösen Sie die Schrauben wie gezeigt, um den Motor abzunehmen.

Flug-Checkliste

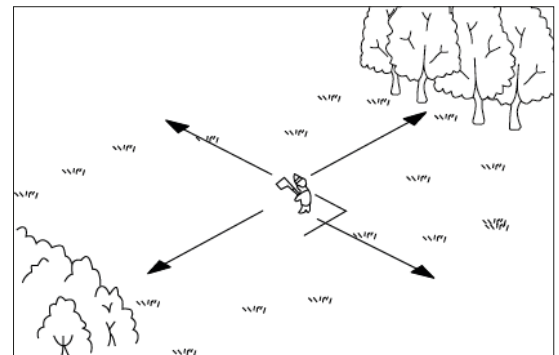
HINWEIS: Diese Checkliste ist NICHT als Ersatz für den Inhalt dieser Bedienungsanleitung gedacht. Obwohl sie als Schnellstartanleitung verwendet werden kann, empfehlen wir dringend, das Handbuch vollständig durchzulesen, bevor Sie fortfahren.

- Vergewissern Sie sich, dass Gasknüppel in der untersten Position steht, bevor Sie Akku anschließen.
- Fliegen Sie das Modell (Handstart oder Start von einer flachen/ebenen Oberfläche).
- Landen Sie das Modell auf einer flachen/ebenen Fläche.
- Ziehen Sie den Akku ab.
- Schalten Sie den Sender immer zuletzt aus.

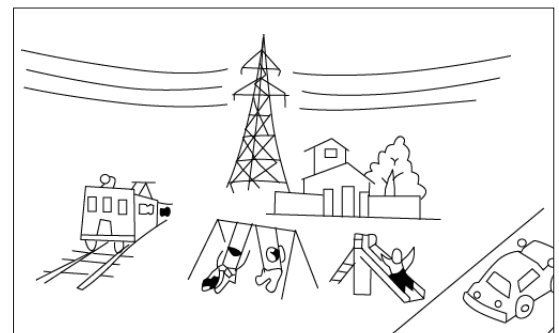
Flugplatz finden

Aufgrund der Größe und des Gewichts des Flugzeugs wird es in der Regel als ein Flugzeug der "Park-Flyer"-RC-Klasse angesehen. Daher ist es am besten, das Flugzeug auf einem Flugfeld oder anderen Bereichen zu fliegen, die groß genug und frei von Menschen und Hindernissen ist. Wir empfehlen eine Fläche, die mindestens so groß ist wie ein Fußballfeld. Noch größere Flächen sind jedoch besser geeignet und werden bevorzugt, vor allem wenn man das Fliegen lernt.

Wir empfehlen außerdem, über Gras zu fliegen, da es eine viel nachgiebigere Oberfläche ist, die im unglücklichen Fall eines Absturzes weniger Schäden verursacht. Ein ideales Fluggebiet ermöglicht Starts und Landungen auf einer glatteren Oberfläche (z. B. Asphalt) und das Fliegen über Gras.



Fliegen Sie in geräumigen Orten ohne Hindernissen.
Fliegen Sie das Flugzeug niemals in der Nähe von Autobahnen, Eisenbahnen, Hochspannungsleitungen, Menschenansammlungen, Fluggebieten und Wohngebieten.
HINWEIS: Das Flugzeug ist nur für das Fliegen im Freien geeignet.



Flugbedingungen

In der Regel ist es am besten, an windstillen Tagen zu fliegen, besonders wenn Sie das Fliegen lernen. Es wird dringend empfohlen, nur bei Windstille zu fliegen, bis Sie mit der Steuerung und Handhabung des Modells vertraut sind. Schon leichter Wind kann das Fliegen erschweren und in manchen Fällen kann das Modell sogar über die Sichtlinie hinaus getragen werden.

Wenn Sie zum ersten Mal fliegen oder nur wenig Erfahrung haben, empfehlen wir Ihnen, das Modell von einem erfahreneren Piloten testen und richtig trimmen zu lassen, bevor Sie den ersten Flug wagen. Ein nachweislich flugfähiges und richtig getrimmtes Modell ist wesentlich einfacher und angenehmer zu fliegen. Nachdem Sie das Modell bei ruhigen Bedingungen richtig getrimmt haben und mit seiner Handhabung vertraut sind, können Sie bei leichtem Wind oder, je nach Ihrer Erfahrung und Ihrem Komfortniveau, bei Windstärken bis zu 5-7 Meilen pro Stunde fliegen.

Fliegen Sie NICHT an Tagen, an denen erhebliche Feuchtigkeit wie Regen oder Schnee vorhanden ist.

Gewährleistungsausschluss:

- Nur für Kinder ab 14 Jahren
 - Produkt enthält verschluckbare Kleinteile
 - Hände, Gesicht, Haare und lose Kleidung von den drehenden Luftschrauben fernhalten
 - Greifen Sie nicht in drehende Teile
 - Nach dem Flug Akku-Stecker immer trennen und den Akku aus dem Modell entnehmen!
 - Fliegen Sie nur, wo es sicher ist und Sie keine Dritten gefährden
 - Bewahren Sie die Bedienungsanleitung auf und lesen Sie diese vor Gebrauch des Modells sorgfältig und vollständig durch. Personen ohne Kenntnis im Modellflug empfehlen wir die Inbetriebnahme des Modells unter Anleitung eines erfahrenen Piloten
 - Testen Sie vor jedem Flug die Reichweite der Fernbedienung, sowie Ladezustand des Akkus und prüfen Sie Batterien oder Akkus in der Fernsteuerung.
 - Fliegen Sie nicht in der Nähe von Menschenansammlungen, auf Personen oder Tiere zu, bei schlechter Sicht, in der Nähe von Hochspannungsleitungen, Funkmasten oder bei Gewitter, bei Regen, Schnee oder in feuchter Umgebung.
1. Behalten Sie das Fluggerät immer in Sichtweite und unter Kontrolle.
 2. Benutzen Sie immer vollgeladene Batterien/ Akkus.
 3. Schalten Sie immer erst das Modell, dann den Sender aus.
 4. Nutzen Sie das Modell nicht, wenn es optische oder mechanische Schäden aufweist.
 5. Prüfen Sie immer alle Schraubverbindungen und Strukturen auf festen Sitz und Beschädigungen
 6. Greifen Sie niemals in den drehenden Propeller - Verletzungsgefahr!
 7. Trennen Sie nach dem Flug immer den Flugakku vom Modell und entnehmen Sie diesen.
 8. Laden und lagern Sie den Akku immer außerhalb des Modells, laden Sie auf unbrennbarem Untergrund, lagern Sie den Akku niemals im Modell. Niemals Akkus unbeaufsichtigt laden!
 9. Entnehmen Sie Einwegbatterien aus dem Sender - Schäden durch ausgeladene Batterien fallen nicht in die Gewährleistung.

Informieren Sie sich über die in Ihrem Land gültigen, gesetzlichen Bestimmungen

MSG Online GmbH



Konformitätserklärung gemäß Richtlinie Radio Equipment Directive (RED) 2014/53/EU

Declaration of Conformity in accordance with the Radio Equipment Directive (RED) 2014/53/EU

Déclaration de conformité selon la directive Radio Equipment Directive (RED) 2014/53/UE

Hiermit wird erklärt, dass das Produkt:

I hereby declare that the product:

Il est déclaré que le produit:

**MODSTER MDX P-40 Warhawk
Modellflugzeug mit Fernsteuerung**

Artikelnummer:

Product number:

Artikelnummer:

294994 (EAN: 4260752718639)

Bei bestimmungsgemäßer Verwendung den grundlegenden Anforderungen nach Artikel 3 und den übrigen einschlägigen Bestimmungen der Richtlinie (RED) 2014/53/EU entspricht.

Complies with the essential requirements and the other relevant provisions of the Directive (RED) 2014/53/EU, when used for its intended purpose.

Utilisé selon l'usage prévu est conforme aux exigences essentielles selon l'article 3 ainsi qu'aux autres dispositions pertinentes de la directive (RED) 2014/53/UE.

In Übereinstimmung mit den folgenden harmonisierten Normen gefertigt:

Manufactured in accordance with the following harmonised standards:

Fabriqué conformément aux normes harmonisées suivantes:

EN 62479:2010

EN 301 489-1 V2.1.1 (2017-02)

EN 301 489-3 V2.2.1 (2017-03)

EN 60950-1 / A11+A1+A12+A2 Version 2013

EN 62311 Version 2008

EN 300 440 V2.1.1 (2017-03) | EN 62368-1:2014 + A11: 2017

Rechtliche Informationen:

RoHS 2-Richtlinie 2011/65 /EU;

RoHS 3-Richtlinie - Änderung 2011/65 / EU-Anhang II 2015/863

Richtlinie 2012/19/EU über Elektro- und Elektronik-Altgeräte

Hersteller / verantwortliche Person: **MSG Online GmbH, Walter Bittdorfer**

Manufacturer / responsible Person: **Wirtschaftspark 9**

Fabricant / personne responsable: **8530 Deutschlandsberg, Austria**

Walter Bittdorfer

Geschäftsführer / *managing director / directeur général*

place of issue/ date:

Deutschlandsberg (Austria), 10.05.2022

Fait à / le:

Frequency Range: 2420 MHz - 2460 MHz

Sending Level 0.57 dBm

The EIRP of the EUT is below the max. permitted sending level of 20 mW.

Therefore the EUT is not required to conduct SAR measurement.

MODSTER

P-40 WARHAWK

**MSG ONLINE GMBH
WIRTSCHAFTSPARK 9
A-8530 DEUTSCHLANDSBERG**

FIRMENBUCH GRAZ FN315230Z • UID-NR. ATU 64361513
EVA-PARTNERNUMMER: 152216
ARA LIZENZNUMMER: 17749 • GRS NUMMER: 110072576
INTERSEROH HERSTELLER ID (EAR): 152204
WEE REG.-NR. DE 44576630