

MODSTER

Mini Cito

USER MANUAL / BETRIEBSANLEITUNG

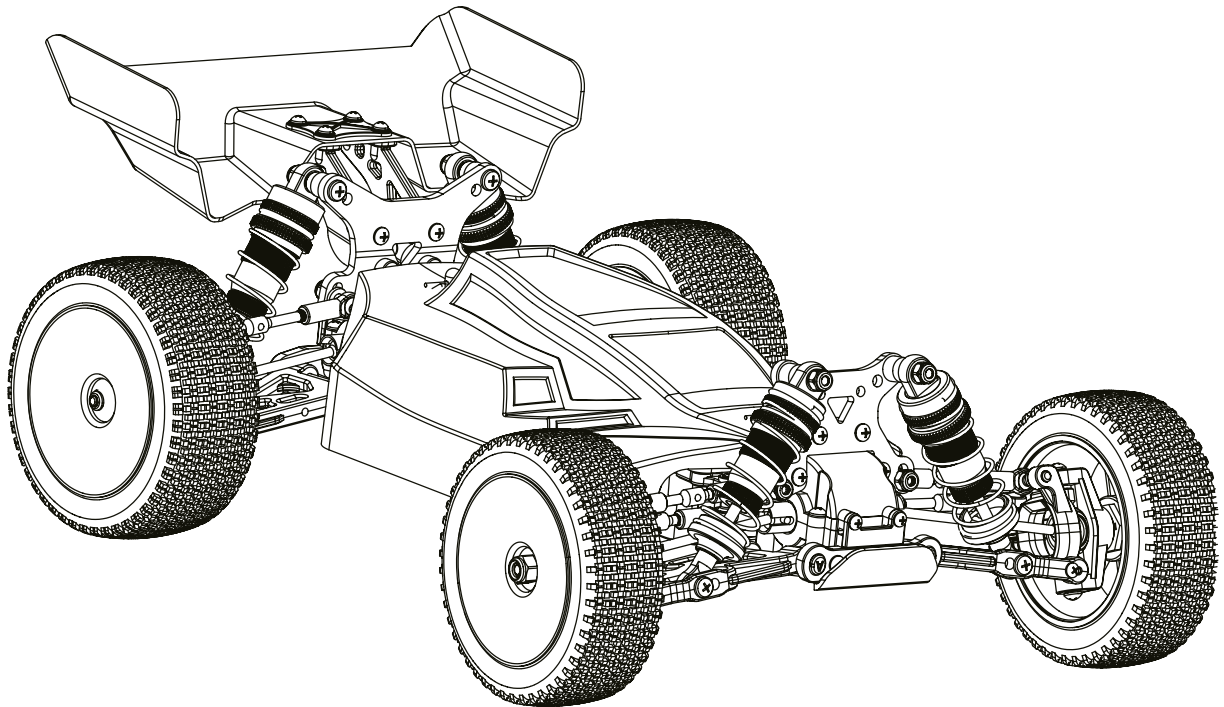
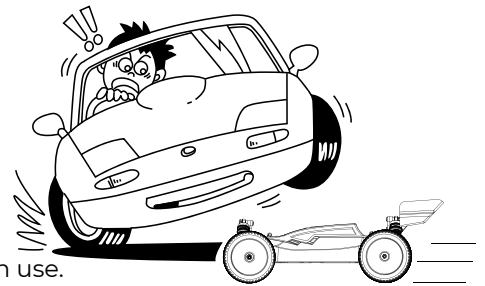


Table of contents

Safety and caution	3-4
Troubleshooting	4
Product instructon	5
Instruction of common tools and installation the electronic part	5
Practice and maintenance	6
Assemble exploded view	7-15
Fittings view	16-20

Safety and caution

- Never run the model on public roads or streets, as it could endanger traffic.
- Never run the model in crowded areas, near or toward people or animals, to prevent property damage and/or personal injury.
- Never run the model near rivers, ponds or lakes as to prevent RIC car from dropping into the water.
- Make sure that no one else is using the same frequency as yours in your running area. Using the same frequency at the same time, whether it is driving, flying or sailing, can cause loss of control with RIC model, resulting in serious accidents.
- To avoid a runaway R/C model or loss of control, always follow the procedure below:
 1. Fully extend transmitter antenna.
 2. Switch on transmitter.
 3. Switch on R/C model.
- Follow reverse procedure to shut down.
- Never touch or hinder rotating tire.
- Never run R/C model in the rain or let run over puddles, as water may cause trouble with R/C model.
- Motor and battery get very hot after running. Take care when handle them.
- Retract transmitter antenna when not in use.
- Remove the batteries from model and transmitter when they are not in use.




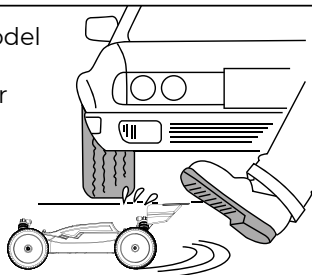
Cautions when handing batteries:

- Do not dismantle the battery or charger and do not cut any battery cables. This may cause short-circuit and/or damage to the product.
- Change battery with compatible charger following proper procedure that is called out in the Instructions. Do not modify charger or charge battery in improper way.
- Do not recharge battery that is still warm from use as it may damage the battery. Allow the battery to cool off prior to recharging.
- Make sure to disconnect charger cables from RIC model and electric outlet when not in use.
- Remove transmitter battery when not using it for a long time as it may leak and damage transmitter when left for a long period.
- Never incinerate used batteries, as they can explode causing serious accidents.
- Never charge the battery unobserved!!





Safety precautions



Do not operate the model on public roads, in crowded places or near infants, it may cause accidents or injury.


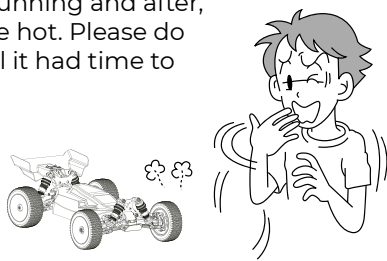
As the product includes small and sharp parts, assemble and store this product only in places out of reach of children.

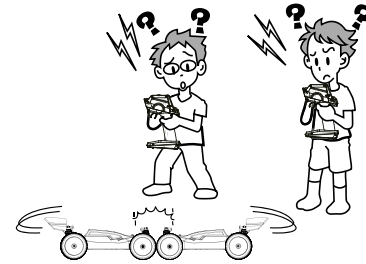
As the front end of the antenna may be dangerous, do not aim it toward faces.

During the car running and after, the motor will be hot. Please do not touch it until it had time to cool down.

Don't use the same frequency with others at the same time. Or the car will lose control or even lead to serious accidents.



Troubleshooting

Description	Cause	Solution
The car does not operate at all	Transmitter or receiver is off.	Turn on both transmitter and receiver.
	Batteries are not placed properly in the transmitter.	Place batteries in the transmitter properly.
	The drive battery is not charged enough.	Charge the drive battery.
The car does not follow your operation and control distance not enough long.	Someone else is using the same radio frequency as you are using.	Change your radio frequency to the one no one else is using, wait until the driver using the same radio frequency finishes driving, or drive your car at a different place.
	There is not enough power in the transmitter or receiver batteries.	Replace the transmitter batteries with new ones and charge the drive battery.
	Not tighten antenna on the transmitter/not fully extend antenna.	Make sure insert antenna into the transmitter and fully extend antenna.

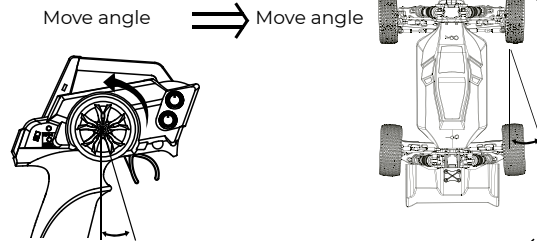


CAUTION

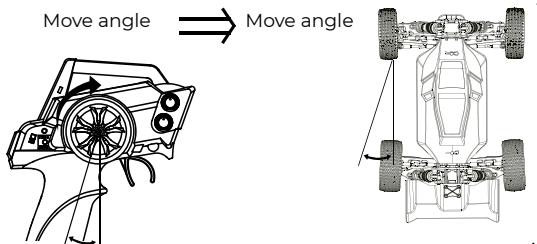
- Please observe the operation manual or packing explanation to install and use, and some parts should be installed by adults.
- The product contains small part, it may cause swallow or choke.
- Never run a R/C model in the seeper or rain, moisture areas, or it may cause the parts malfunction.
- Please throw the wrapper in time to avoid danger for the children.
- Regularly examine for damage to the charge, wire, plug, bodyshell or other parts. In the event of any damage, it must not be used until the damage has been repaired.
- The charge, battery box and battery must insert with the appointed power source of product symbol same.
- This product must only be used with the original collocation charger.
- The product is contains the functional outshoots are may be dangerout to the children.
- For safety reasons, LiPo batteries have a minimum discharge voltage that should not be fallen short of. The electronic speed controller is equipped with a built-in low voltage detection that gives the driver a warning signal when LiPo batteries have reached their minimum voltage (discharge voltage). It is the driver's responsibility to stop driving immediately to prevent the battery from discharging below the safety limit of its minimum voltage.
- The low voltage detection on the speed controller is only one part of the extensive features for the safe operation of LiPo batteries in your model. It is extremely important that you, the user, also follow all battery and charger manufacturer's instructions for safe charging, operation and storage. Make sure you understand how to use your LiPo batteries. If you have any questions about the use of LiPo batteries, please contact your local dealer or the battery manufacturer. As a reminder, all batteries should be recycled at the end of their life.

Proportional R/C Using Instruction

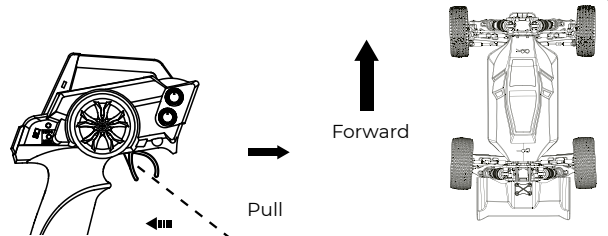
- ① Turn left the steering wheel, the car will turn left. Turning left angle can be adjusted by the degree of wheel twisting.



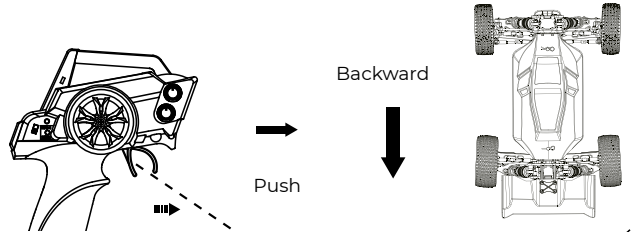
- ② Turn right the steering wheel, the car will turn right. Turning right angle can be adjusted by the degree of wheel twisting.



- ③ Pull the throttle trigger backward, the car will forward. Adjusting the angle of throttle trigger can adjust forward speed of the car. During the car forward, quickly push the trigger forward to stop it.

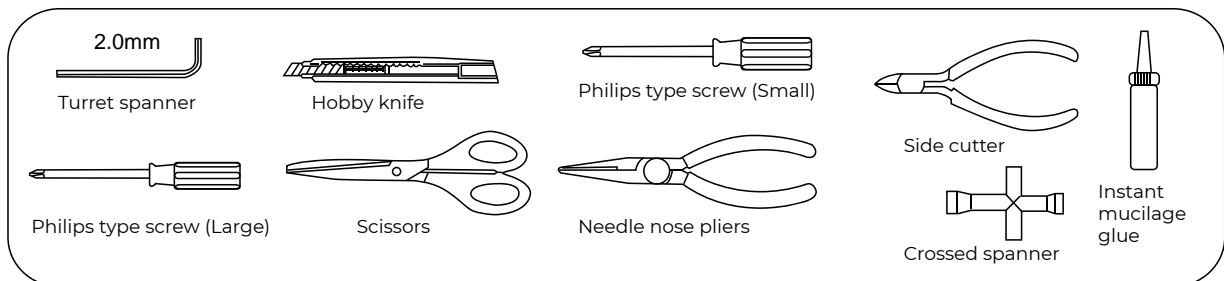


- ④ Loosen the trigger to make it return to the neutral position when brake. Push the throttle trigger forward, the car will backward. Adjusting forward angle of throttle trigger adjust backward speed of the car.



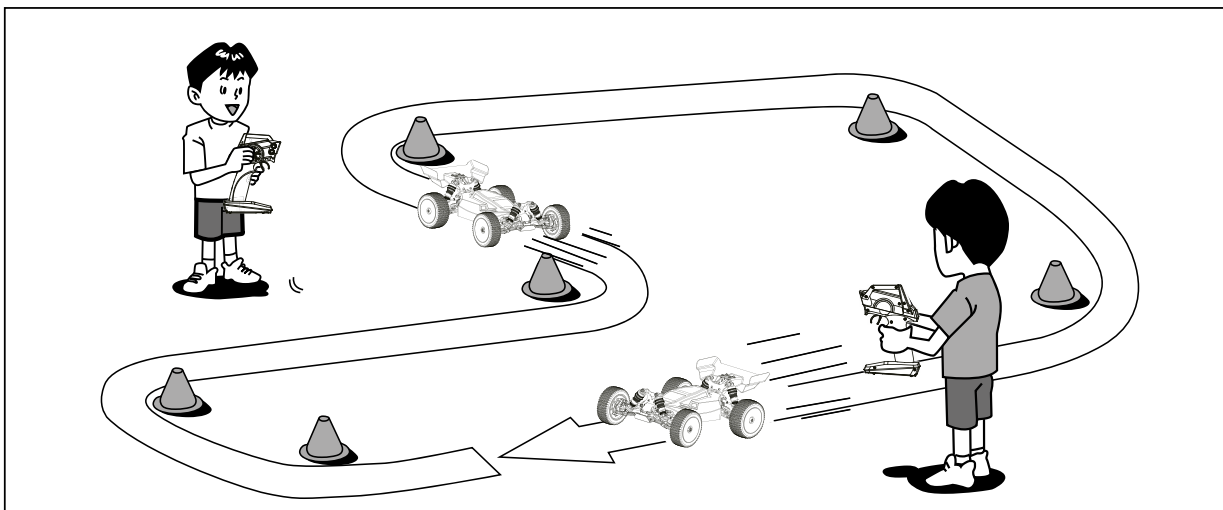
Introduce the common tools and assemble the electron parts

Tools needed for assembly



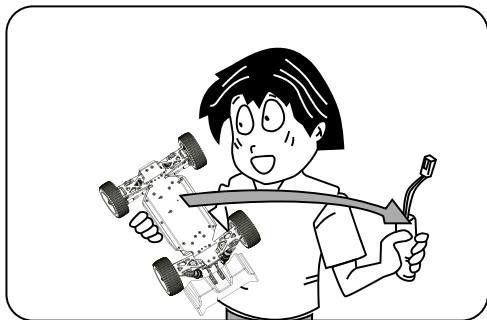
Practise and Maintenance

Practise

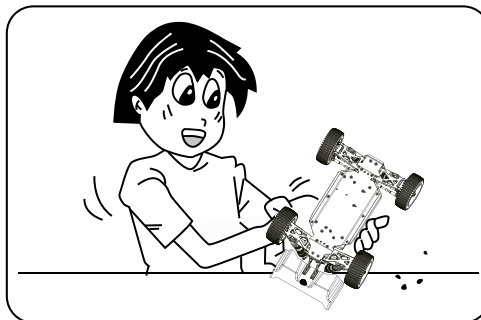


Let's practice! Make R/C car circuit at a wide and safe location using corner pylons (seperately available), empty cans or such. Running fast at straight section and slow down at curved section is a basic speed control technique useful when driving R/C car.

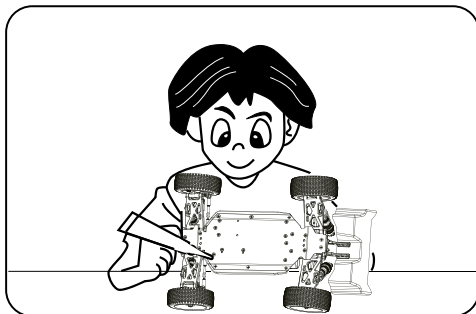
Maintain



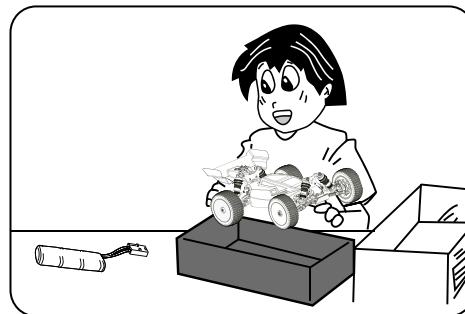
When the car is not in use, you should remove the battery from the car.



Completely remove sand, mud, dirt, etc.

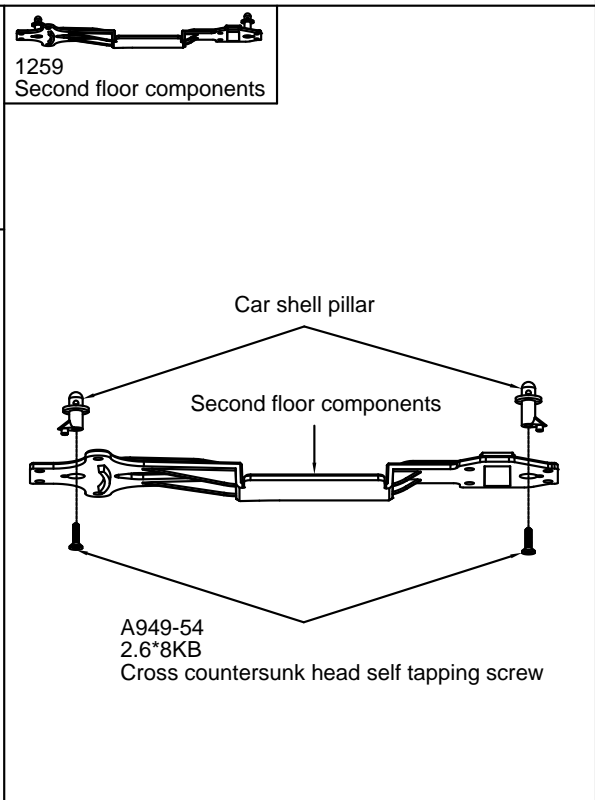
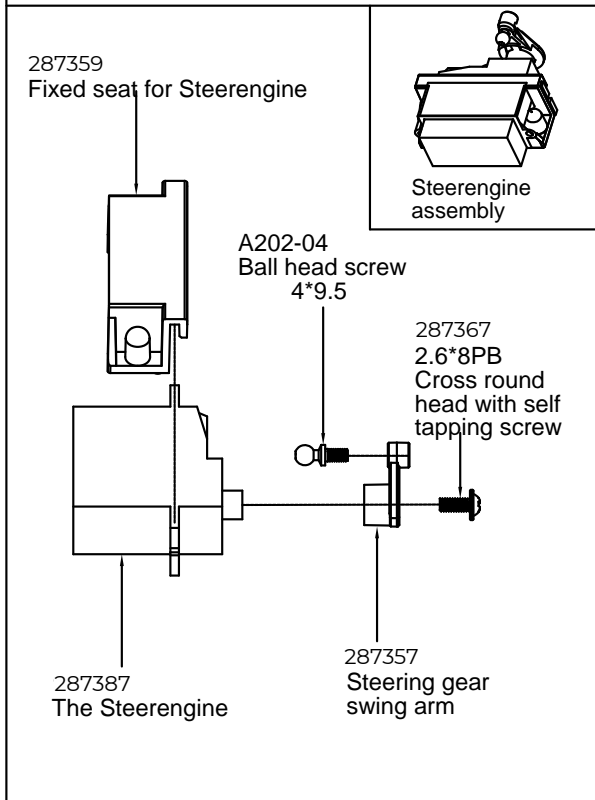
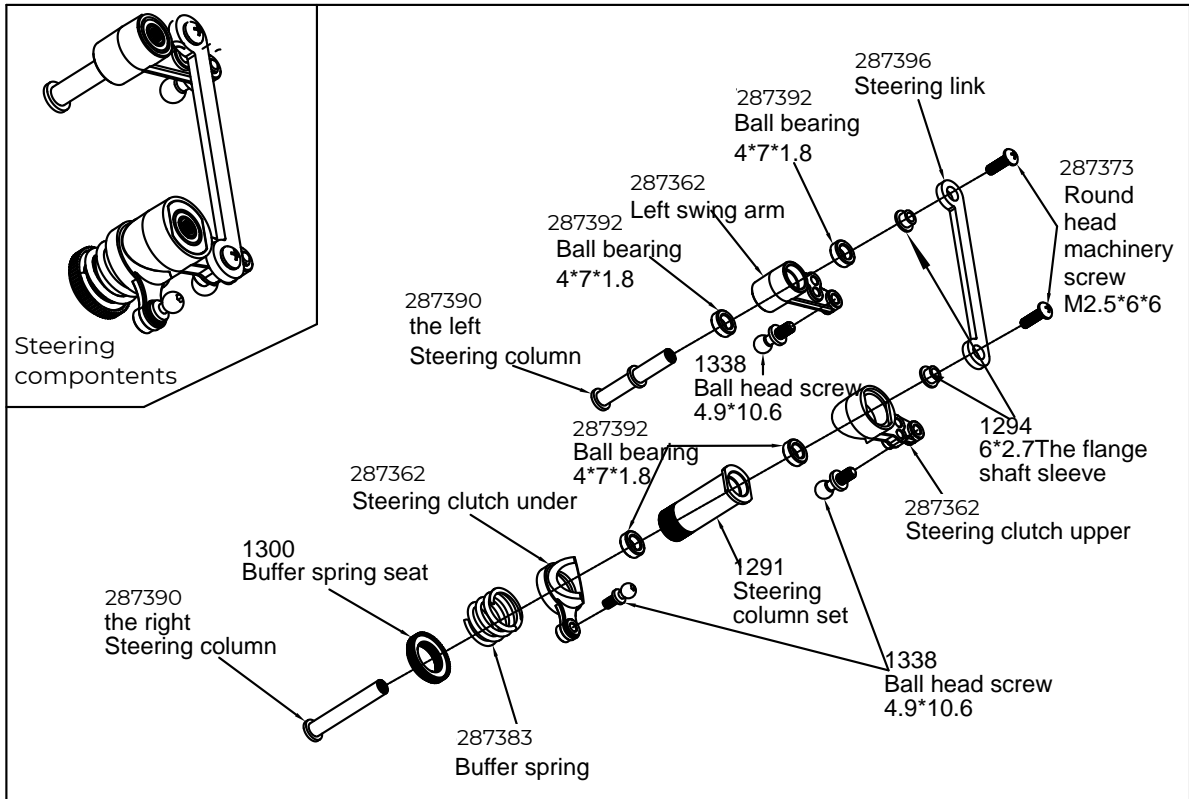


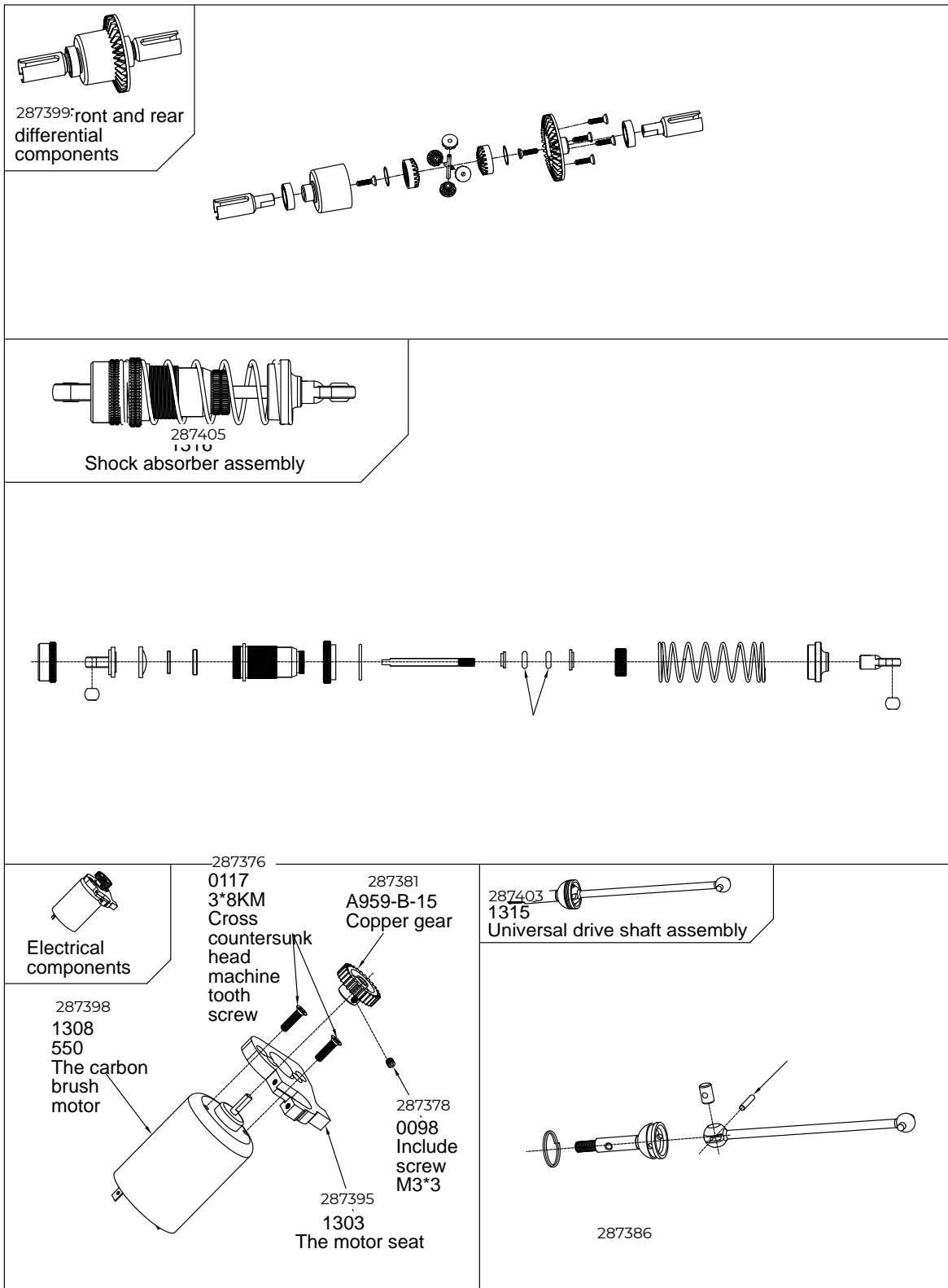
Metal outside should apply the rust prevention oil.

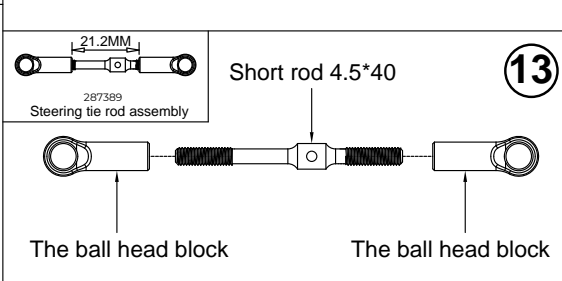
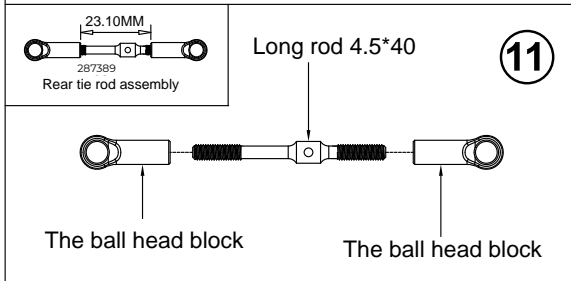
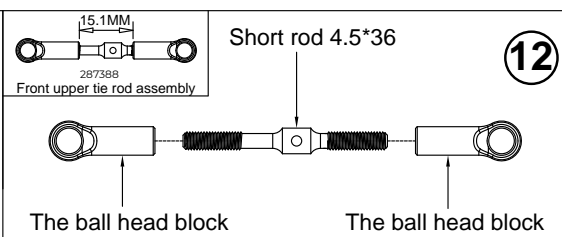
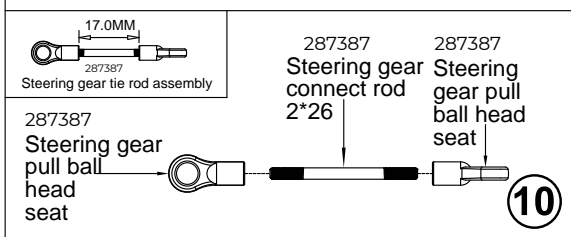
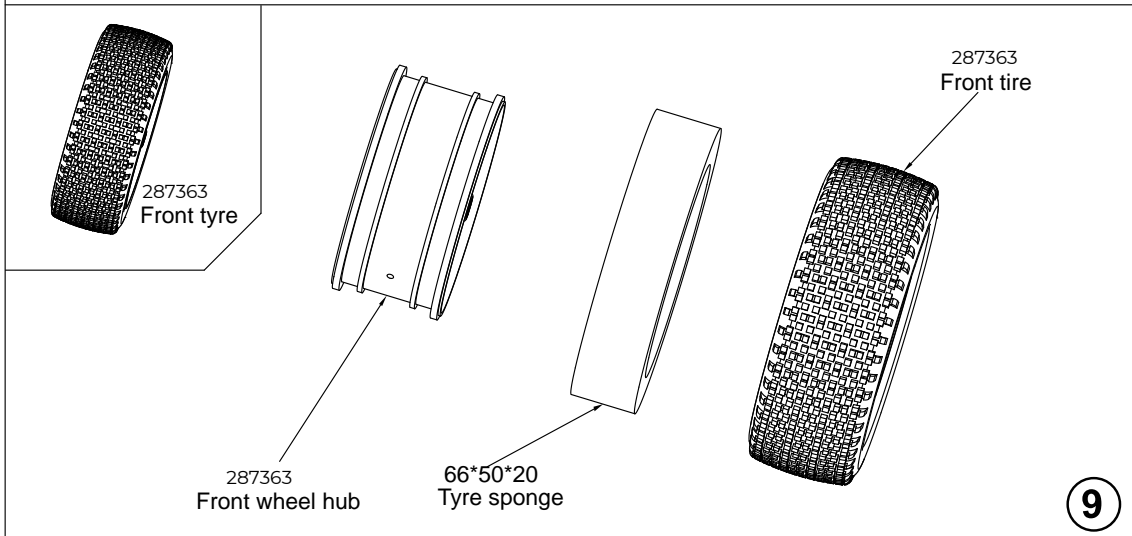
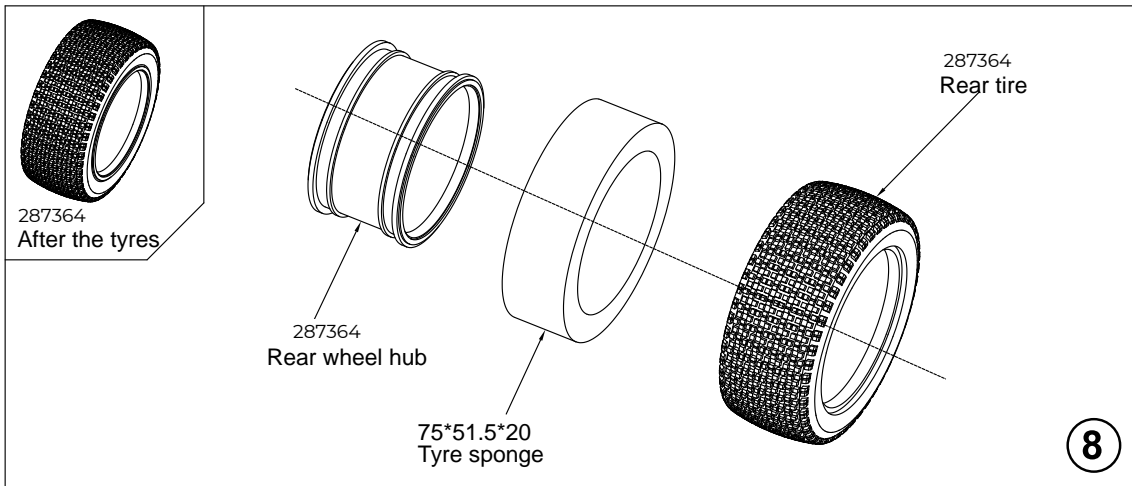


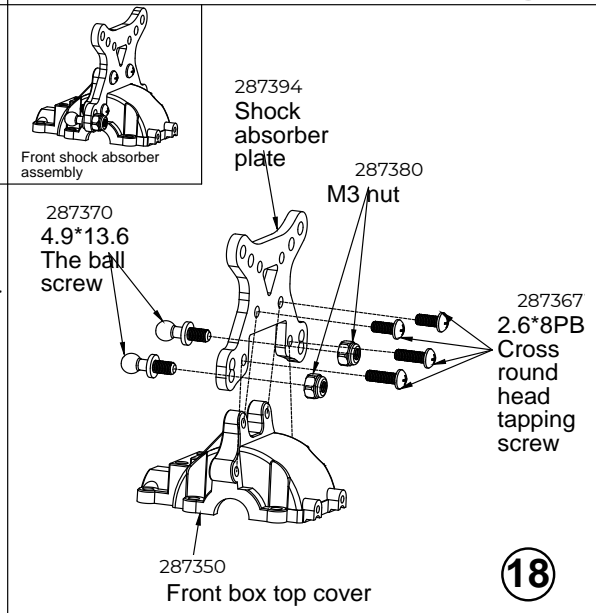
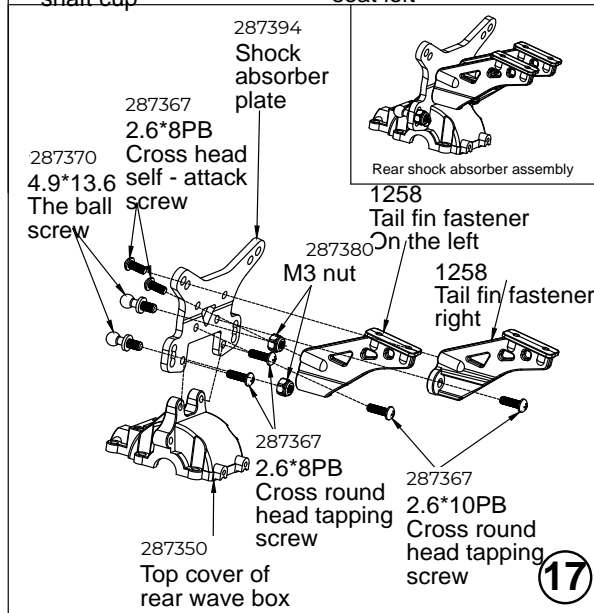
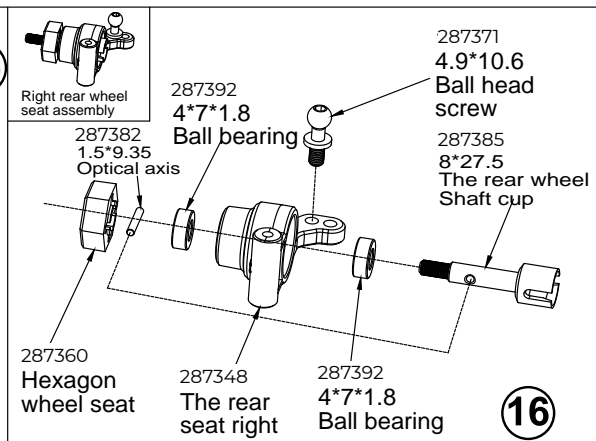
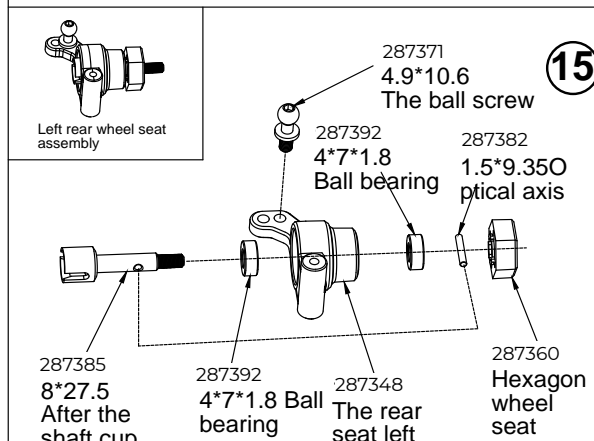
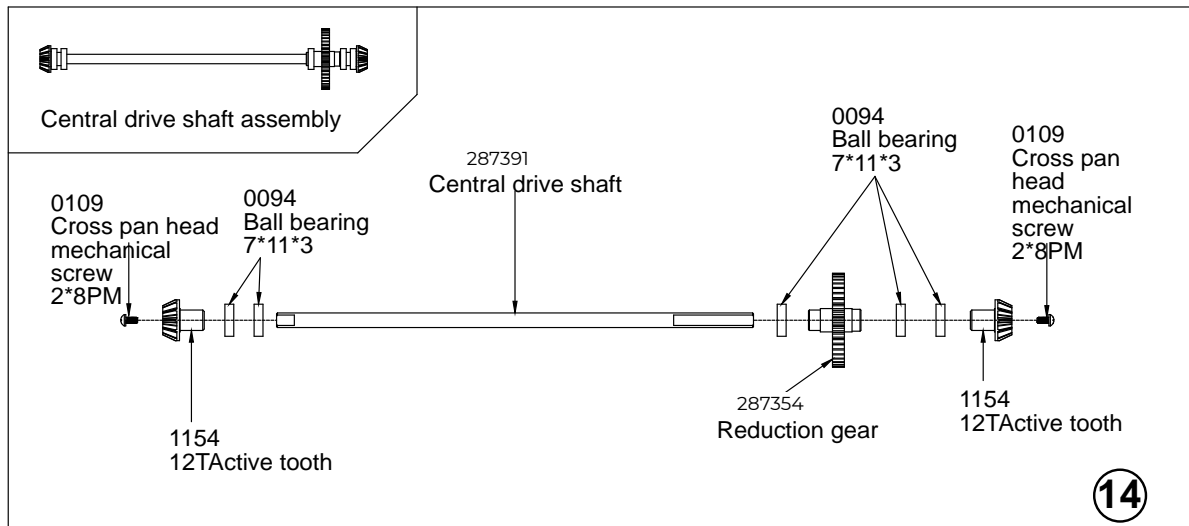
Store the car and batteries seperately when not in use.

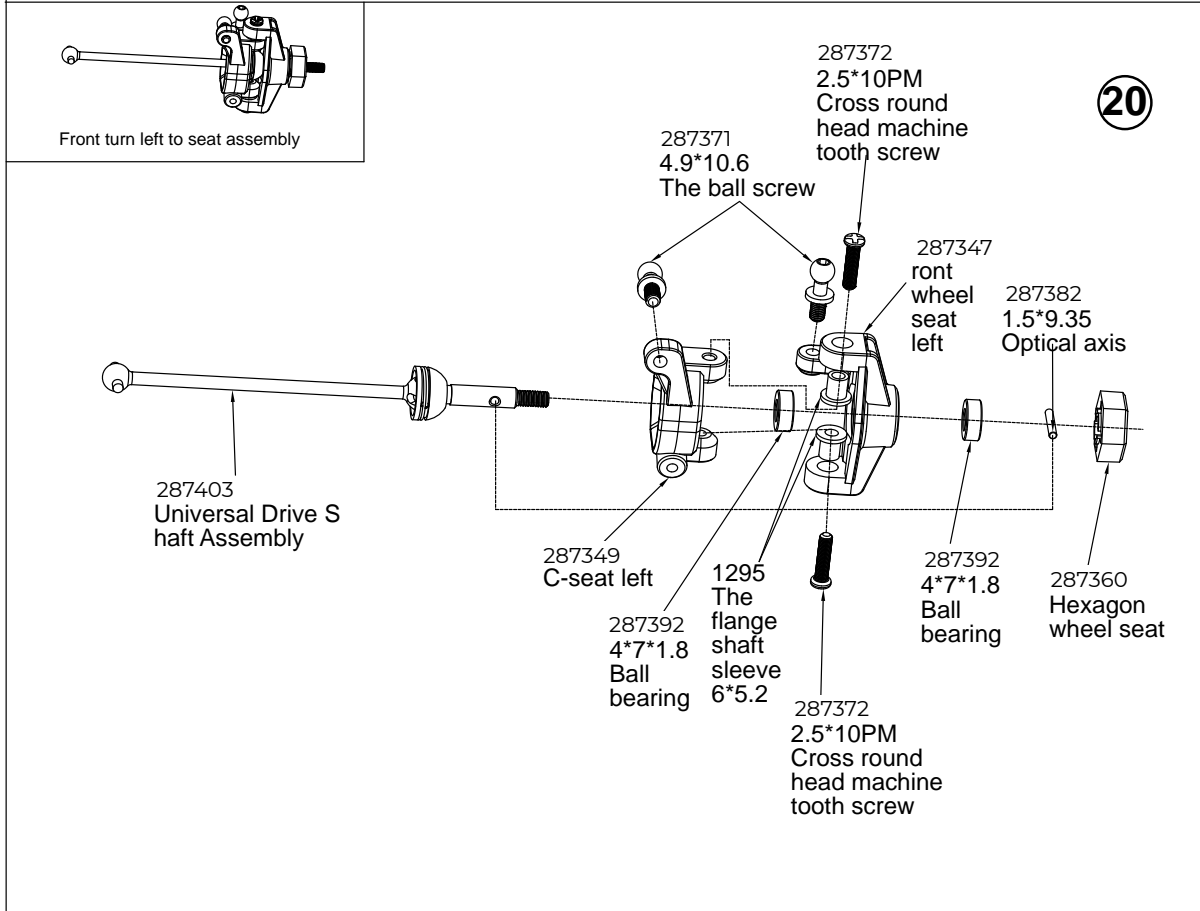
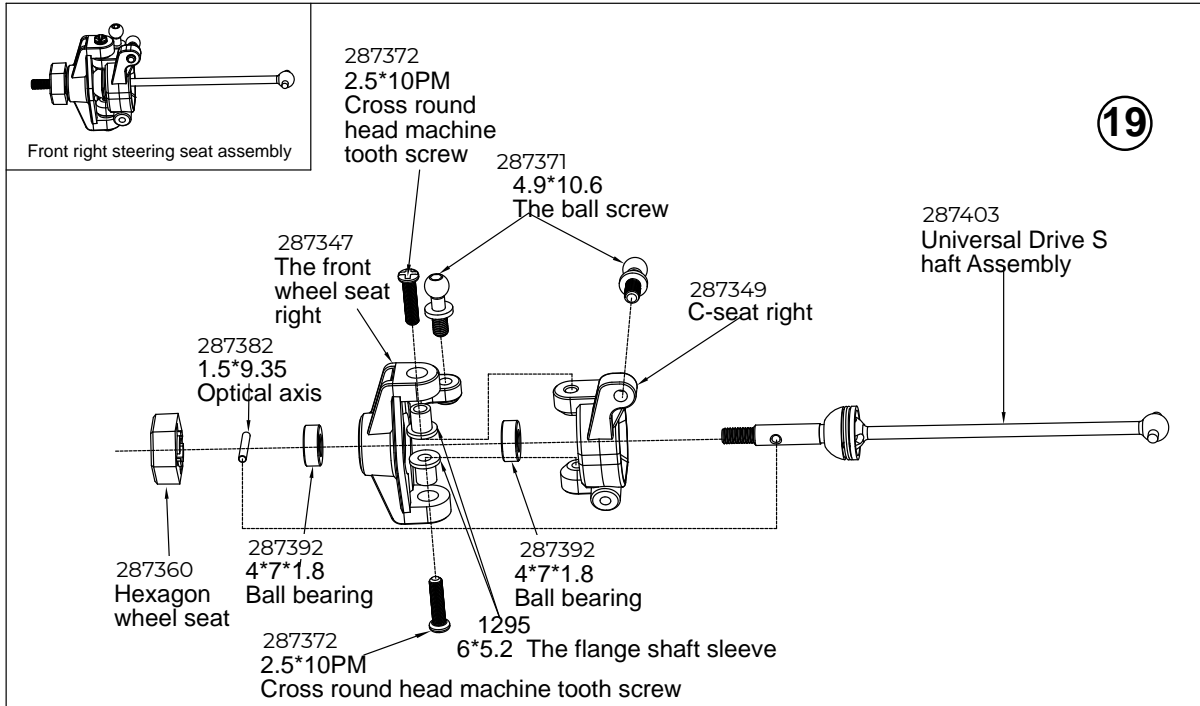
Practise and Maintenance

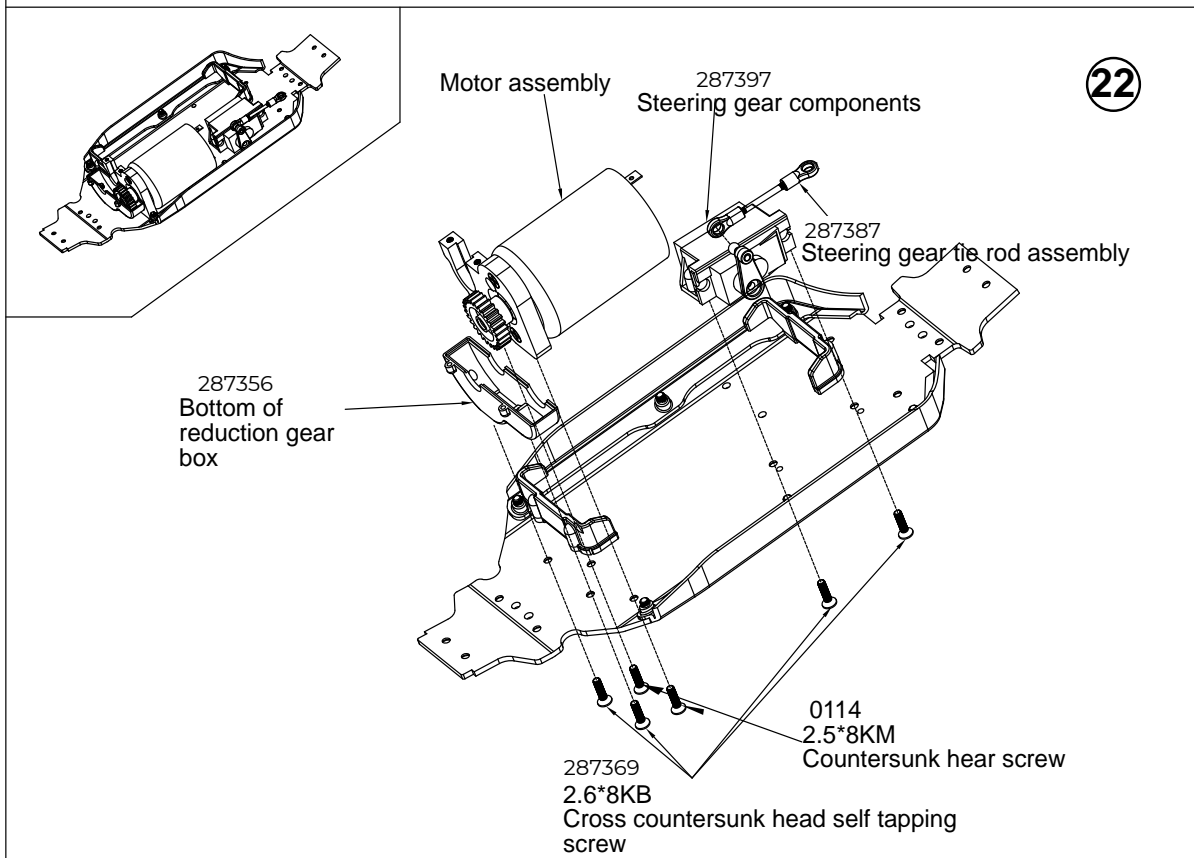
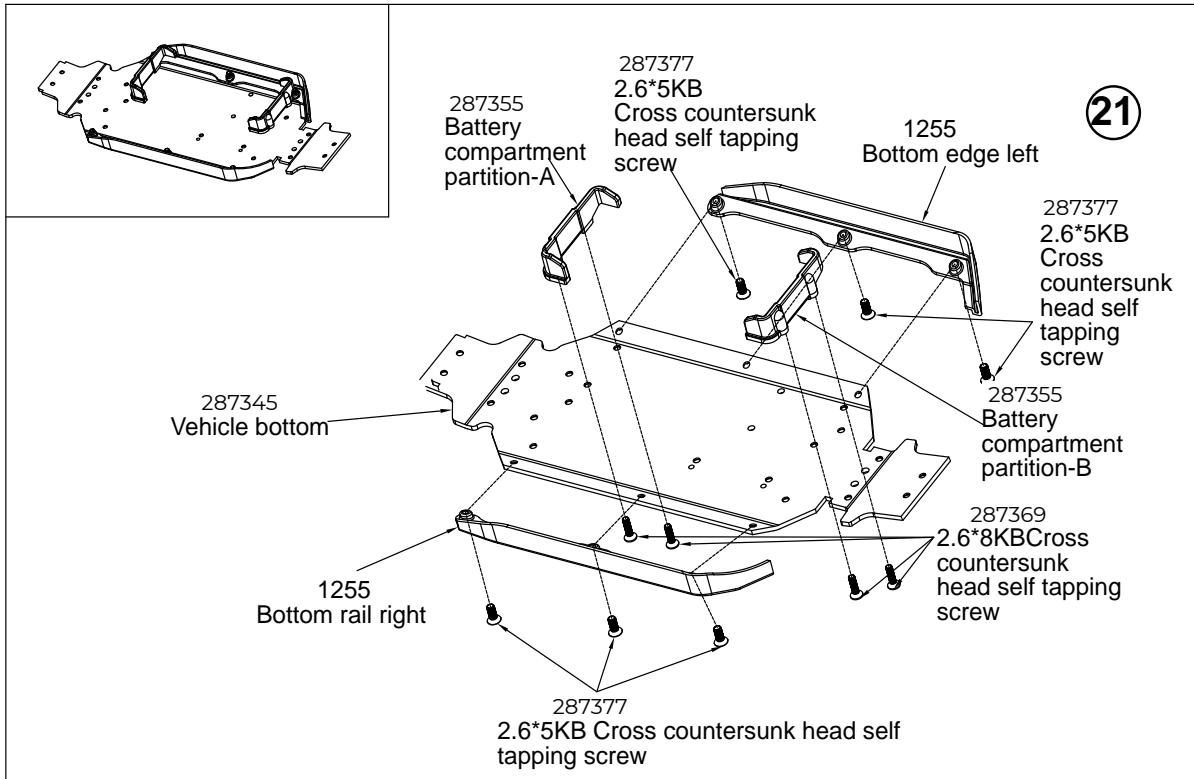


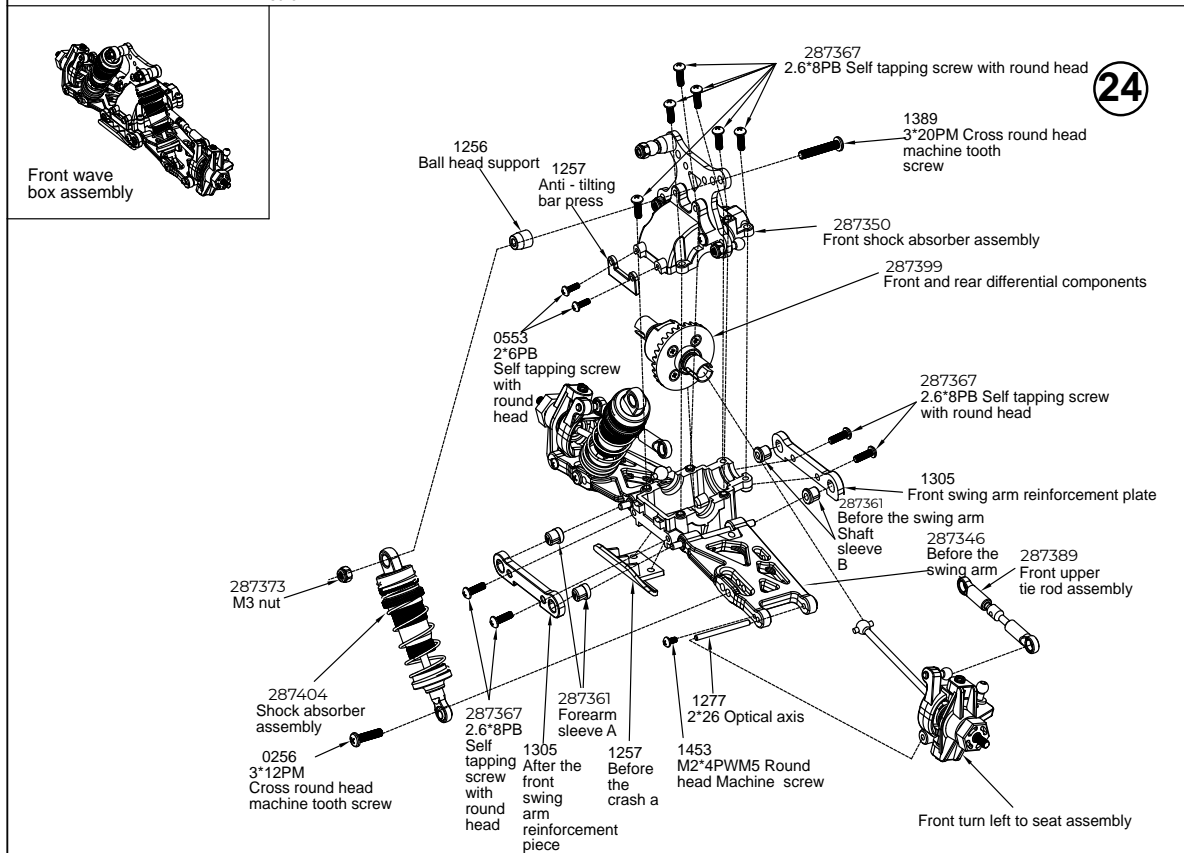
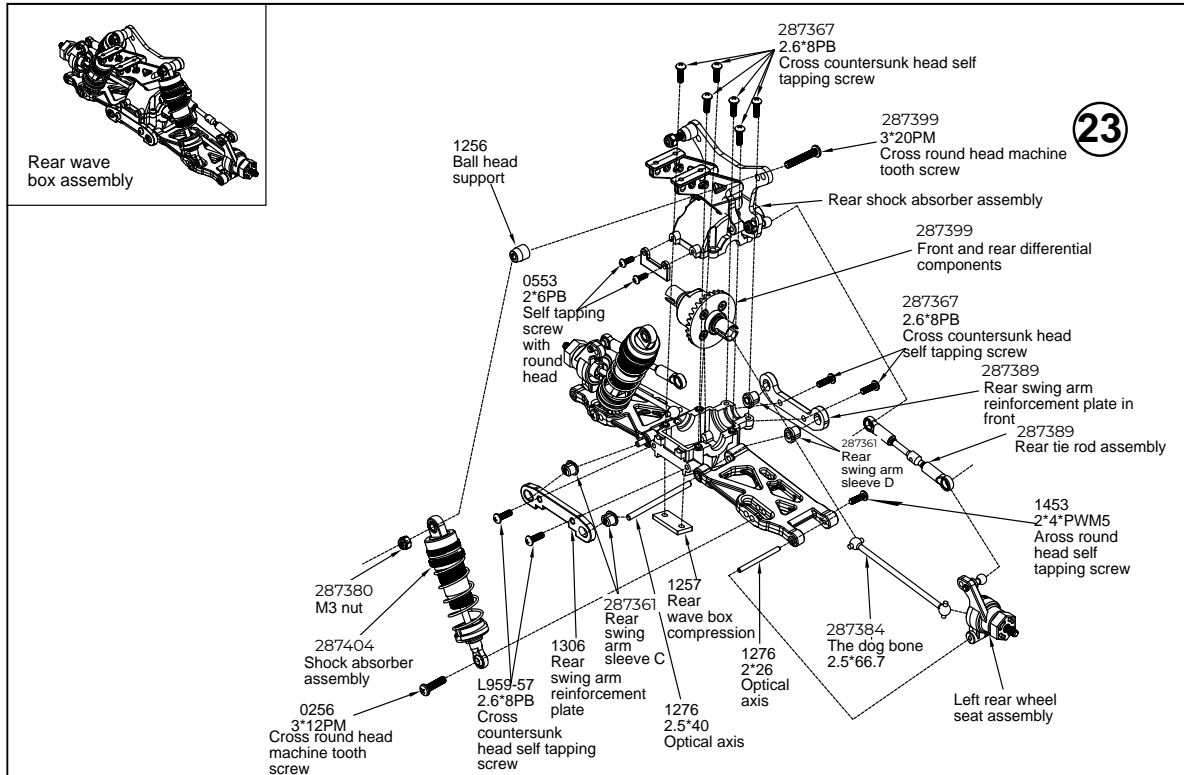


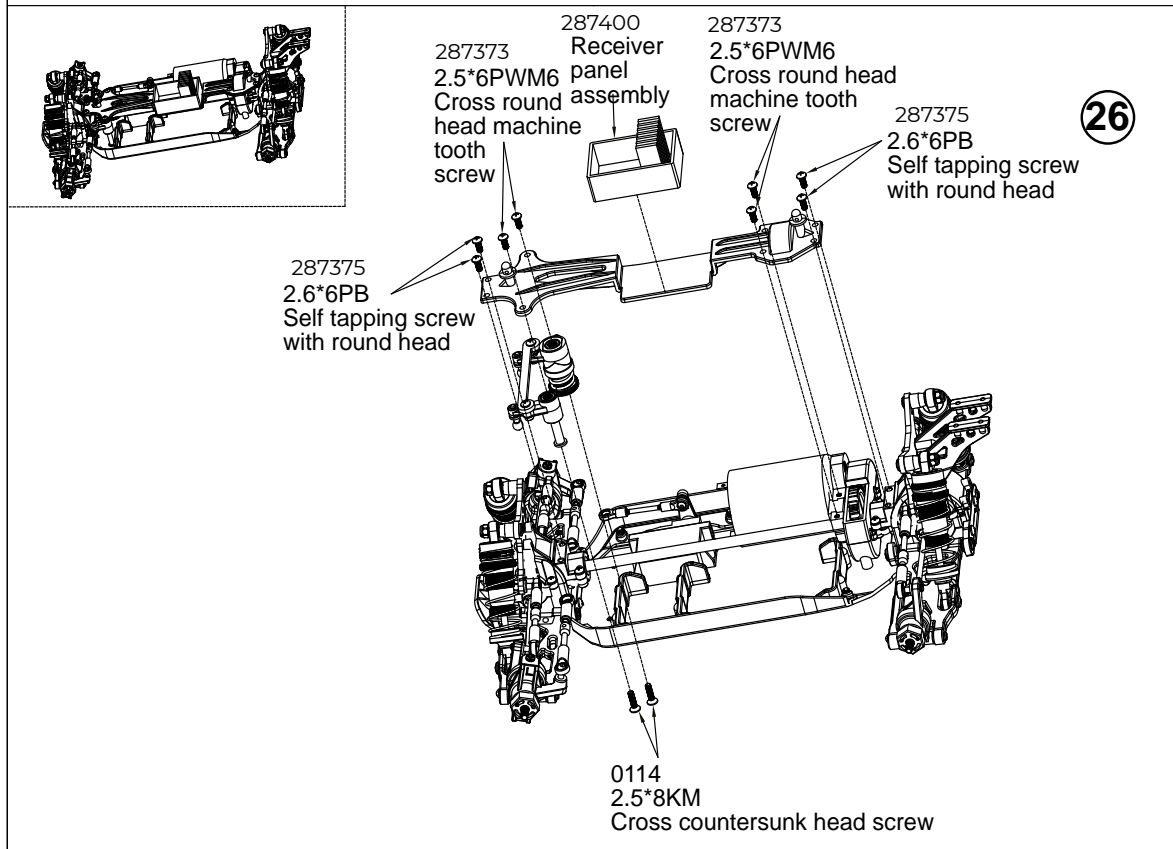
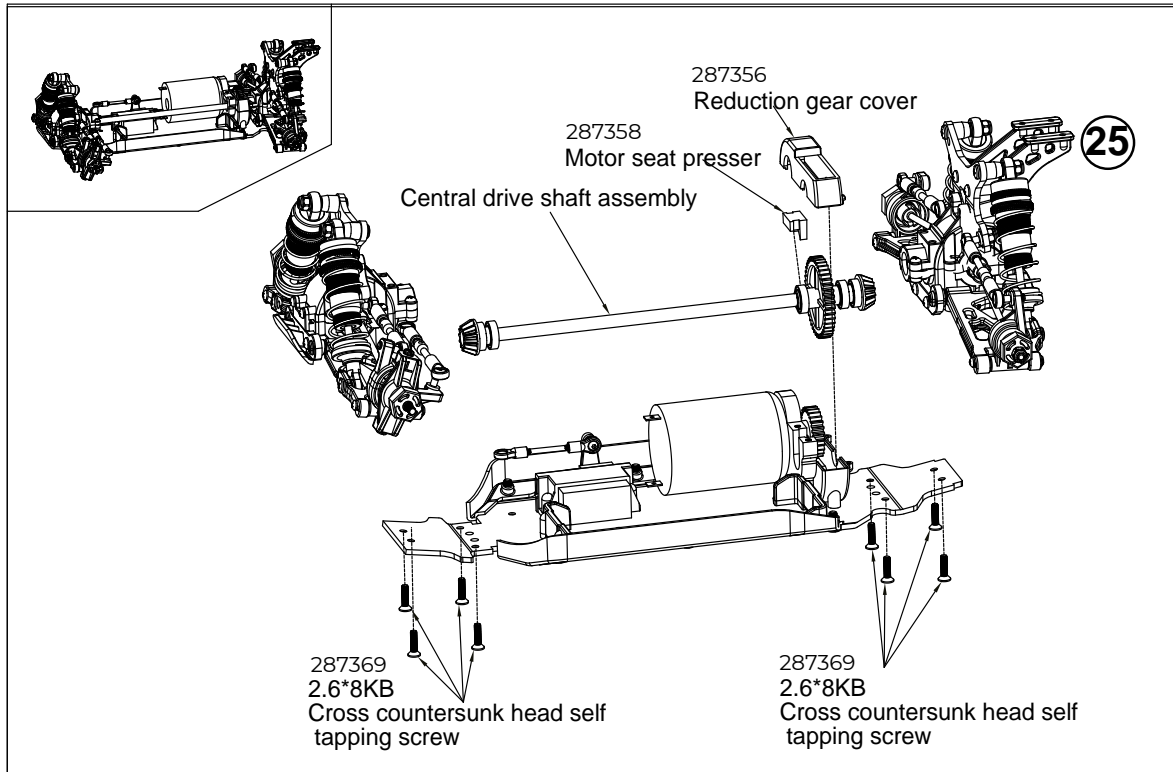


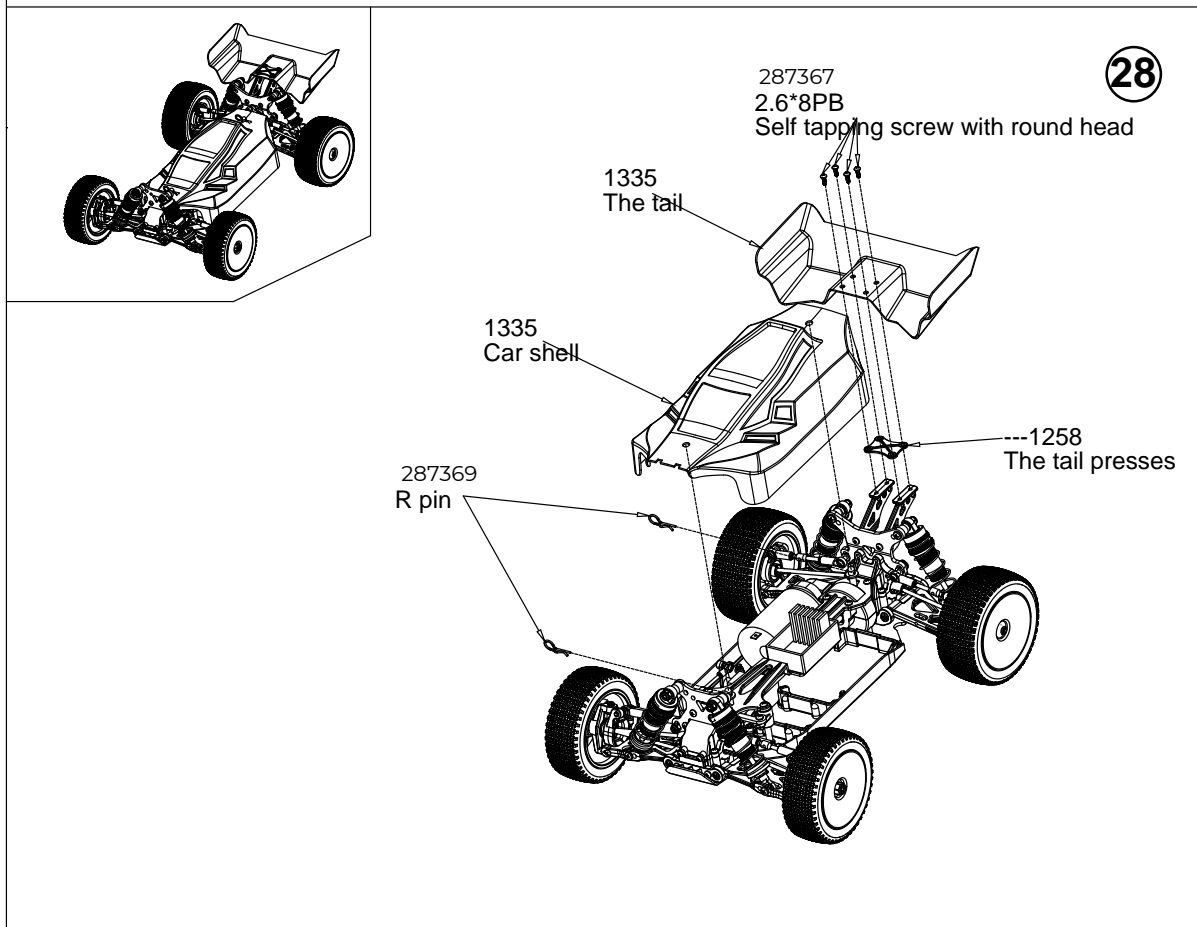
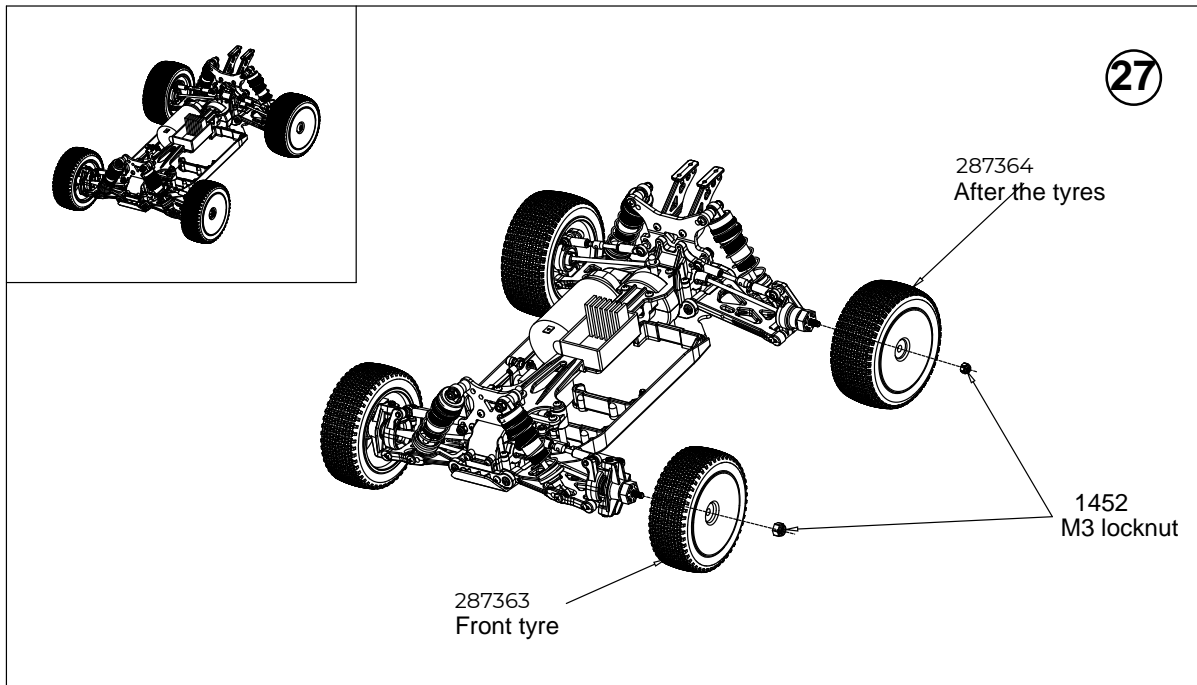




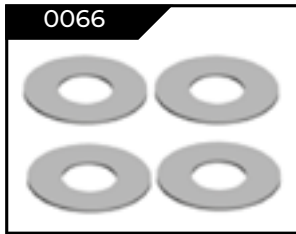




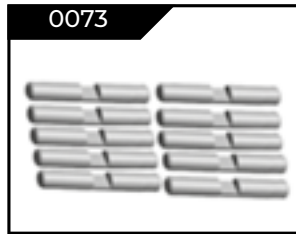




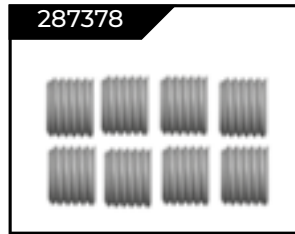
Sale parts view



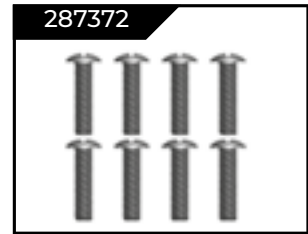
0066
12 * 3.2 * 0.2 gasket set assembly



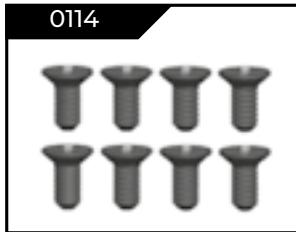
0073
12 * 3.2 * 0.2 gasket set assembly



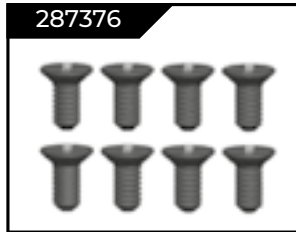
287378
12 * 3.2 * 0.2 gasket set assembly



287372
12 * 3.2 * 0.2 gasket set assembly



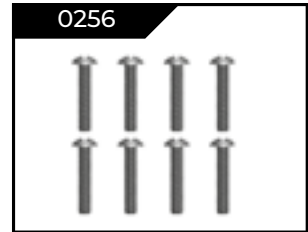
0114
2.5* 8KM screw assembly



287376
3*8KM screw assembly



1374
USB charging line



0256
3*12PM screw assembly



1669
V2-133001 Remote controller



0422
2*6KM screw assembly



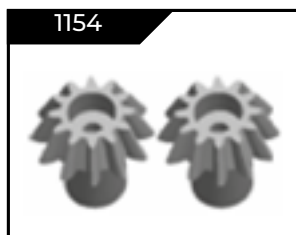
0553
2*6PB screw assembly



287365
ST2*7PB screw assembly



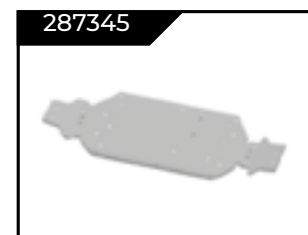
1153
30 T Differential Large Teeth (Hardware) Component



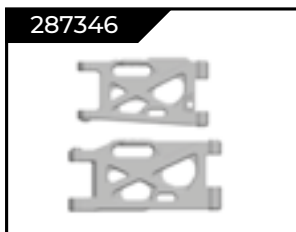
1154
12 T Active Teeth (Hardware) Group



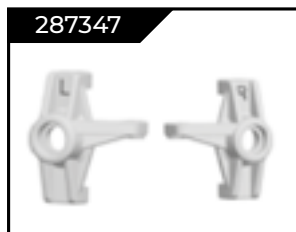
1155
24 T Differential Large Planetary Teeth (Hardware) Group



287345
car body assembly



287346
Front and rear arms



287347
Front seat assembly

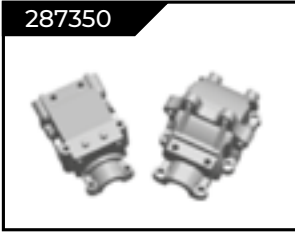


287348
Rear seat assembly



287349
Type C Block Component

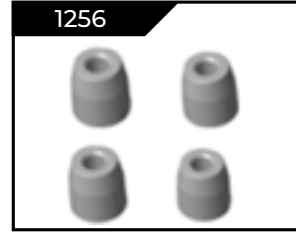
Sale parts view



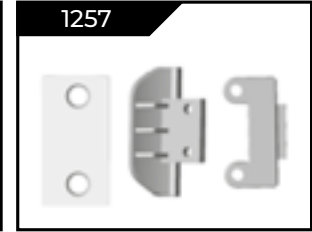
287350 Wave Box Component



1255 Bottom side guard assembly



1256 Ball head support assembly



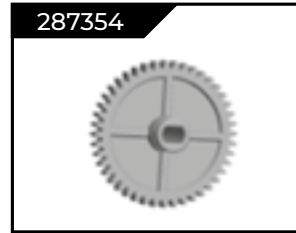
1257 Anti-collision accessories components



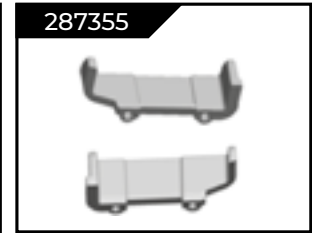
1258 Final-end firmware component



1259 Second floor panel components



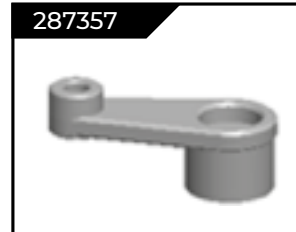
287354 Slow down large tooth assembly



287355 Battery partition assembly



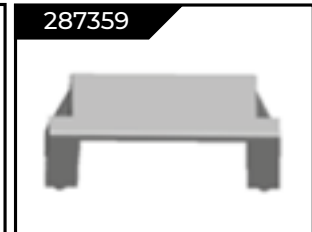
287356 Speed gear upper and lower cover assembly



287357 Tiller arm assembly



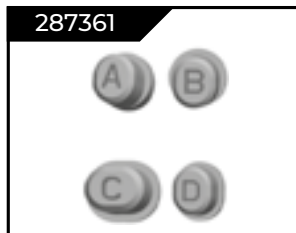
287358 Motor seat press component



287359 Steering seat press assembly



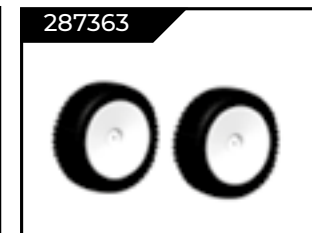
287360 Hexagonal seat assembly



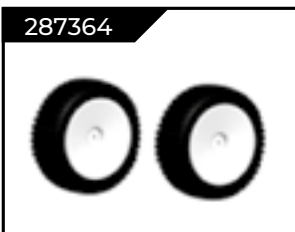
287361 Front and rear arm sleeve



287362 Switch to clutch component



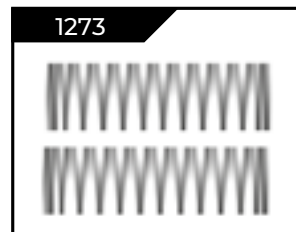
287363 Front tire assembly



287364 Back tire assembly



1271 10 T Differential Asteroid Teeth (Hardware) Group

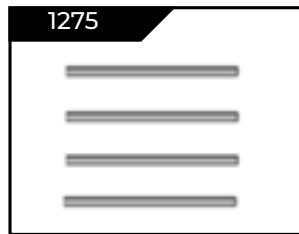


1273 Shock absorber spring assembly

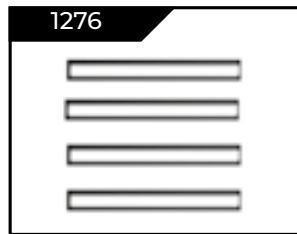


2882 1.5*9.35 Optical axis

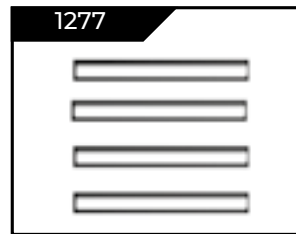
Sale parts view



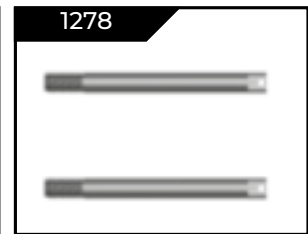
1*9 Optical axis



2.5*40 Optical Axis



2*26 Optical Axis



Shock absorber shaft component



Buffer spring assembly



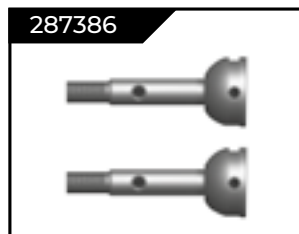
Dog bone assembly



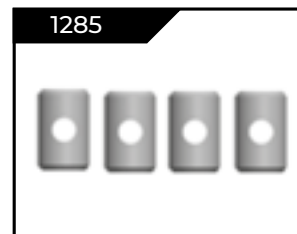
Universal drive shaft assembly



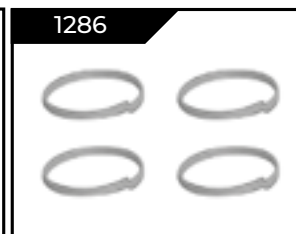
Rear Wheel Cup Component



Front Wheel Cup Component



Cross shaft assembly



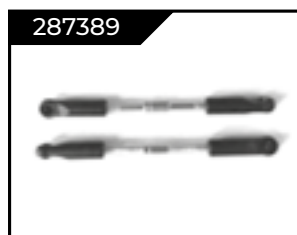
Universal cup spring assembly



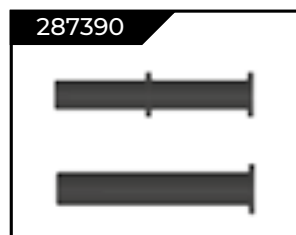
Steering gear lever assembly



Short pull assembly



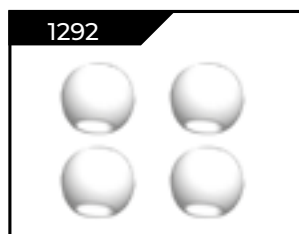
Long pull bar assembly



Steering column assembly



Steering column sleeve component



Ball Head Component



Central Transmission Axis Component



6*2.7 flange sleeve assembly


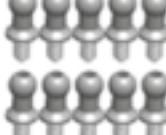



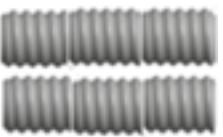









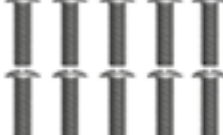






6*5.2 flange sleeve assembly

Sale parts view

<p>287392</p> 	<p>1298</p> 	<p>1299</p> 	<p>1300</p> 
<p>Ball bearing assembly</p>	<p>Shock absorber cylinder assembly</p>	<p>Shock absorber cap assembly</p>	<p>Regulate Ring Component</p>
<p>1301</p> 	<p>287394</p> 	<p>287395</p> 	<p>287396</p> 
<p>Spring seat assembly</p>	<p>Shock absorber assembly</p>	<p>Motor Block Component</p>	<p>Steering connecting rod assembly</p>
<p>1305</p> 	<p>1306</p> 	<p>287397</p> 	<p>287398</p> 
<p>Front swing arm reinforcement module</p>	<p>Backswing arm reinforcement module</p>	<p>Rudder assembly</p>	<p>Motor components</p>
<p>287399</p> 	<p>1310</p> 	<p>1314</p> 	<p>287403</p> 
<p>Differential</p>	<p>Receiver board assembly</p>	<p>Type 0 assembly</p>	<p>Coaxial component</p>
<p>287404</p> 	<p>287377</p> 	<p>1335</p> 	<p>1336</p> 
<p>Shock absorbers</p>	<p>ST2.6*5KB screw assembly</p>	<p>Car shell components</p>	<p>Heat Discharge Group</p>

Sale parts view

<p>287370</p> 	<p>287371</p> 	<p>A202-04</p> 	<p>287368</p> 
<p>4.9*13.6Ball Head screw assembly</p>	<p>4.9*10.6Ball Head screw assembly</p>	<p>4.0*9.5Ball Head screw assembly</p>	<p>ST2*8KB screw assembly</p>
<p>287374</p> 	<p>287379</p> 	<p>A949-22</p> 	<p>287393</p> 
<p>ST2.6*6PWB6 screw assembly</p>	<p>M3*5 Inner hexagonal screw assembly</p>	<p>Magic paste group</p>	<p>Ball bearings 7*11*3 groups</p>
<p>287375</p> 	<p>287373</p> 	<p>287380</p> 	<p>287381</p> 
<p>ST2.6*6PB screw assembly</p>	<p>2.5*6PWM6 screw assembly</p>	<p>M3 Loose nut assembly</p>	<p>Motor teeth 27T group</p>
<p>A959-B-23</p> 	<p>287369</p> 	<p>287367</p> 	<p>287366</p> 
<p>Battery assembly</p>	<p>ST2.6*8KB screw assembly</p>	<p>ST2.6*8PB screw assembly</p>	<p>ST2.6*10PB screw assembly</p>
<p>1452</p> 	<p>1389</p> 	<p>1453</p> 	<p>1656</p> 
<p>M3 flange nut</p>	<p>3 * 20pm Cross round head machine screw</p>	<p>2*4PWM5 Cross round head machine screw</p>	<p>2.5*8PWM6 Cross round head machine screw</p>